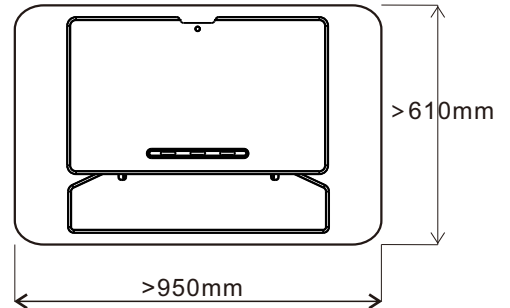
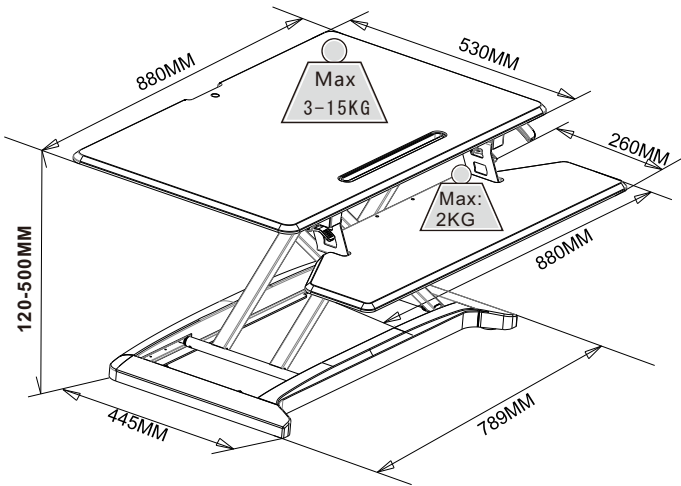
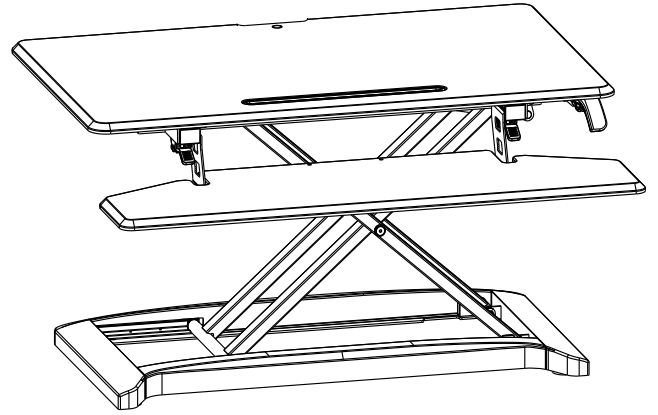
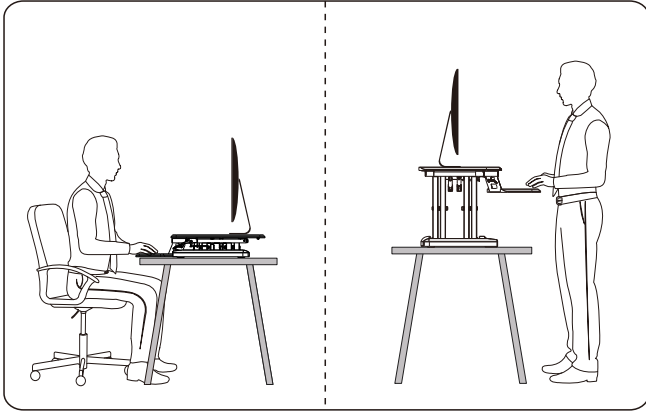


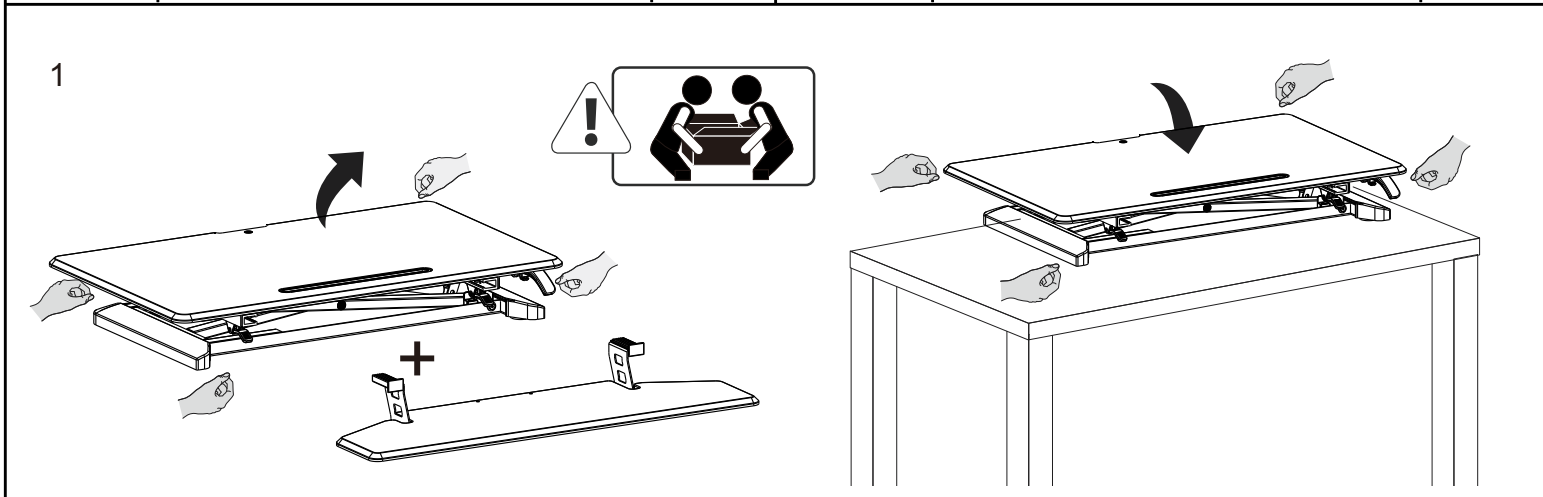
# VISION

## VSS-1M

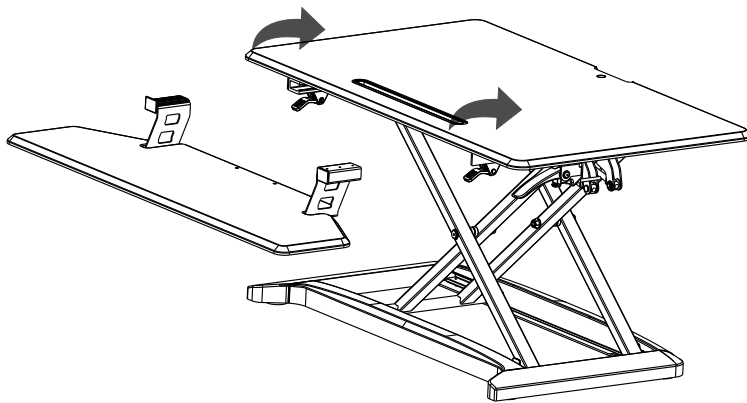


Loading range	3~15Kg
Height adjustment range	120-500mm

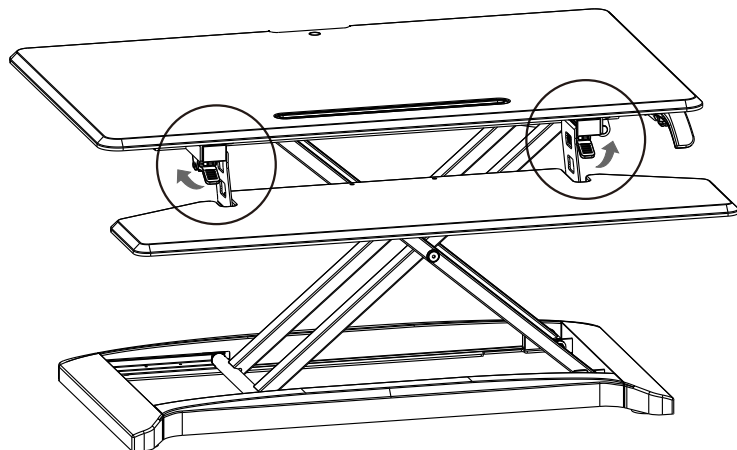
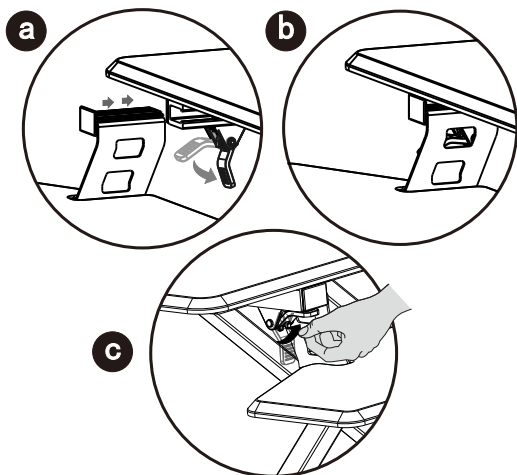
A		x1	B		x1
C		x4	D		x1



2

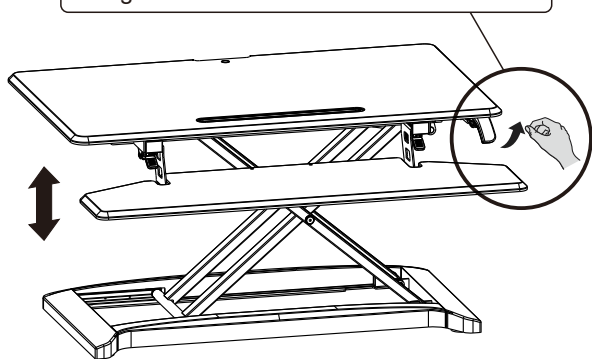


Hang the junction plate on the knob assembled and then tighten the Knob

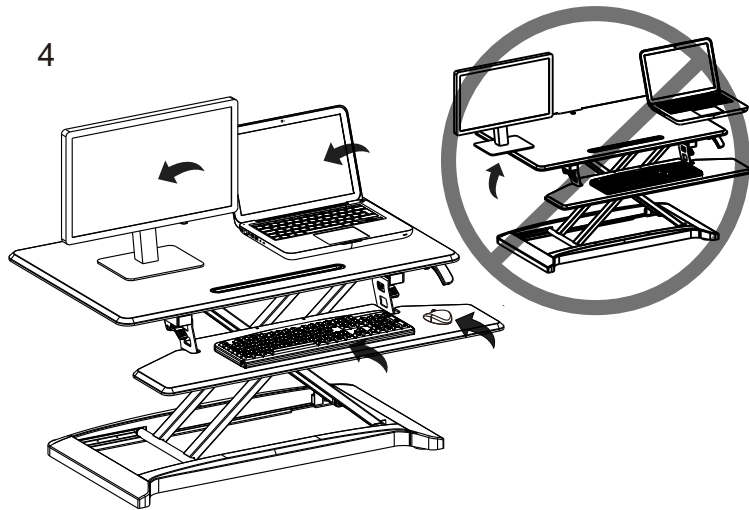


3

Press the handle grips simultaneously, and adjust the workstation to the proper height

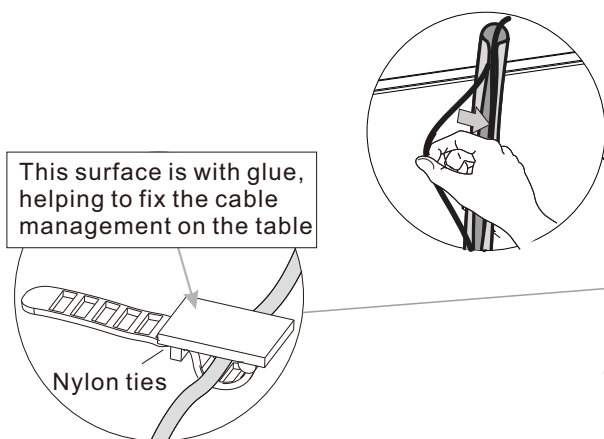


4



5

This surface is with glue, helping to fix the cable management on the table



Cable

