

VFM-WA6X4V2 Flat-Panel Wall Arm 600×400

1 EU SAP: 4686956 US SAP: 13293570

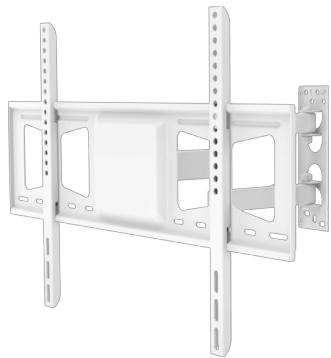
visionaudiovisual.com/vfm-wa6x4v2

Double-articulated wall mount for flat panels that ranges from 42" to 70"

Sturdy 2.5 mm thick rolled steel

Reaches 55-356 mm (2.2-14.0")

Vision's Vision Flat-Panel Mount – Wall Arm range is tough and flexible. The VFM-WA6X4 fits any flat-panel LCD or LED screen which has rear mounting holes up to 600 x 400 mm apart.



Up to 70"

Most larger displays use VESA arrangement of mounting points up to 600 x 400 mm apart, so the WA6X4 fits the majority of displays up to this size. Note: if a larger display has the correct mounting points and weighs less than the SWL this mount can support it safely.

Safe Working Load

The strong mechanical design has a "safe working load" of 30 kg (66.1 lbs).

Rotation

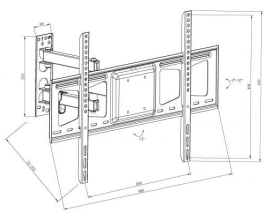
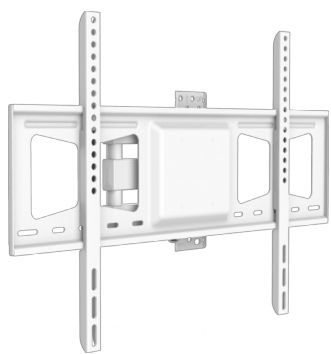
Didn't fix the wall plate perfectly plumb? No problem! 6° of rotation allow you to get the display level easily once the display is in place.

Tilt and Swivel

-2-12° tilt and 90° swivel. Use this mount to fix a display in a corner up high in a waiting room, or fix displays around an office or in meeting rooms.

VESA

The VESA system defines how far apart the mounting holes are on the back of your flat-panel. Holes 600 x 400 mm apart are known as VESA 600×400 and will suit this mount. This mount also covers all smaller VESA sizes.



VISION

CAD

CAD

ZIP 175.65 KB

<files.visionaudiovisual.com/products/VFM-WA6X4V2/cad/VFM-WA6X4V2.zip>

IMAGE

Product Images

ZIP 1.30 MB

<files.visionaudiovisual.com/products/VFM-WA6X4V2/images/VFM-WA6X4V2.zip>

SPECIFICATIONS

PRODUCT DIMENSIONS

see image

PACKAGED DIMENSIONS

689 x 240 x 50 mm / 27.1" x 9.4" x 2.0" (length x width x height)

PRODUCT WEIGHT

4.2 kg / 9.2 lbs

PACKAGED WEIGHT

7.3 kg (16.1 lbs)

SAFE WORKING LOAD

30 kg / 66.1 lbs

CONSTRUCTION MATERIAL WALL PLATE

2.5 mm cold-roll steel

CONSTRUCTION MATERIAL DISPLAY MOUNTING ARMS

1.8 mm cold-roll steel

COLOUR

White

VESA SIZES

600 x 400 mm 400 x 400 mm 400 x 200 mm 300 x 300 mm 200 x 200 mm 200 x 100 mm

ACCESSORIES INCLUDED

4 x M4 20 mm screws 4 x M5 20 mm screws 4 x M6 25 mm screws 4 x M8 25 mm screws

WARRANTY

Lifetime return-to-base

COMPLIANCES

REACH

ORDER PART CODE

VFM-WA6X4V2 [EU SAP: 4686956 / US SAP: 13293570]