

# VFM-WA2X2V2 Flat-Panel Wall Arm 200×200

1 EU SAP: 4684962 US SAP: 13293713

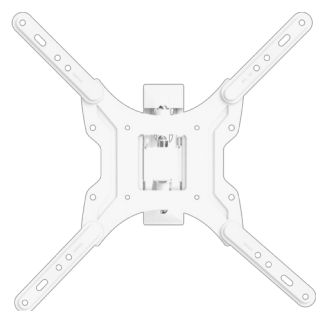
[visionaudiovisual.com/vfm-wa2x2v2](http://visionaudiovisual.com/vfm-wa2x2v2)

Double-articulated wall mount for flat panels that ranges from 20" to 50"

Cable management

Reach 39-402 mm (1.5-15.8")

Vision's Vision Flat-Panel Mount – Wall Arm range is tough and flexible. The VFM-WA2X2 fits any flat-panel LCD or LED screen which has 100 x 100 mm, 200 x 200 mm, or 200 x 100 mm rear mounting holes.



## Up to 50"

Most displays up to 50" use VESA 100 or 200 mounting points, so the WA2X2 fits the majority of displays up to this size. If a larger display has the correct mounting points and weighs less than the SWL this mount can support it safely.

## Fast Installation

The mounting plate fixes to the back of the display, then just drop the display into place on the wall arm and lock in place with a single nut.

## Rotation

Didn't fix the wall plate perfectly plumb? No problem! 6° of rotation allow you to get the display level easily once the display is in place.

## SWL 25 kg

This mount has a "safe working load" of 25 kg (55.1 lb). It is made of steel to make it robust.

## Cable Management

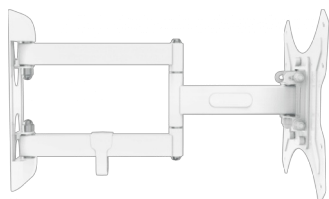
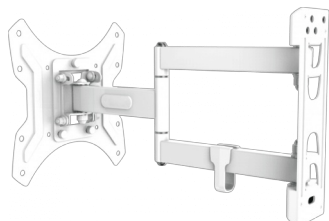
Simple clips allow tidy cable routing.

## Tilt and Swivel

-2-12° tilt and 90° swivel. Use this mount to fix a display in a corner up high in a waiting room, or fix displays around an office.

## VESA

The VESA standard is based on how far apart the mounting holes are on the back of your flat-panel. Holes 200 x 200 mm apart are known as VESA 200 and will suit this mount. This product also fits displays with smaller VESA sizes listed below.



## MANUAL

---

Quick manual

**EN PDF 2.20 MB**

[files.visionaudiovisual.com/products/VFM-WA2X2V2/manuals/VFM-WA2X2V2\\_quick\\_manual.pdf](https://files.visionaudiovisual.com/products/VFM-WA2X2V2/manuals/VFM-WA2X2V2_quick_manual.pdf)

## CAD

---

CAD

**ZIP 228.82 KB**

[files.visionaudiovisual.com/products/VFM-WA2X2V2/cad/VFM-WA2X2V2.zip](https://files.visionaudiovisual.com/products/VFM-WA2X2V2/cad/VFM-WA2X2V2.zip)

## IMAGE

---

Product Images

**ZIP 1.49 MB**

[files.visionaudiovisual.com/products/VFM-WA2X2V2/images/VFM-WA2X2V2.zip](https://files.visionaudiovisual.com/products/VFM-WA2X2V2/images/VFM-WA2X2V2.zip)

## SPECIFICATIONS

---

### PRODUCT DIMENSIONS

see image

### PACKAGED DIMENSIONS

342 x 290 x 60 mm / 13.5" x 11.4" x 2.4" (length x width x height)

### PRODUCT WEIGHT

2 kg (4.4 lbs)

### PACKAGED WEIGHT

3.0 kg / 6.6 lbs

### SAFE WORKING LOAD

25 kg (55.12 lbs)

### CONSTRUCTION MATERIAL WALL PLATE

2.5 mm cold-roll steel

### CONSTRUCTION MATERIAL DISPLAY PLATE

2.5 mm cold-roll steel

### COLOUR

White

### VESA SIZES

200 x 200 mm 200 x 100 mm 100 x 100 mm

### ACCESSORIES INCLUDED

4 x M4 12 mm screw 4 x M4 25 mm screw 4 x M5 12 mm screw 4 x M5 25 mm screw 4 x M6 12 mm screw 4 x M6 25 mm screw 4 x M8 16 mm screw 4 x M8 25 mm screw

### WARRANTY

Lifetime return-to-base

### COMPLIANCES

REACH

### ORDER PART CODE

VFM-WA2X2V2 [EU SAP: 4684962 / US SAP: 13293713]