

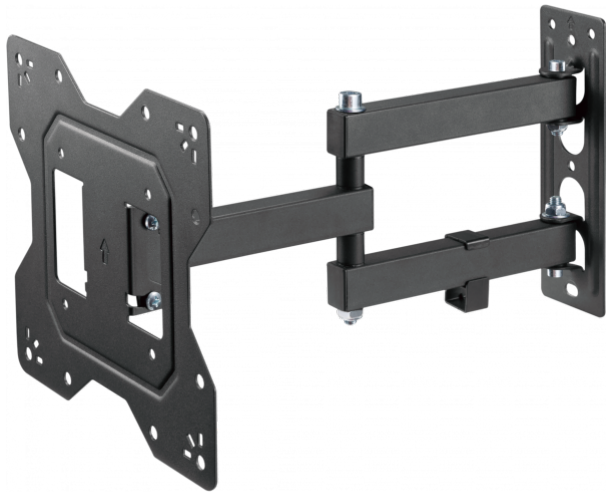
Double-articulated wall mount for flat panels

Supports displays from 20" to 50"

SWL up to 25 kg / 55 lbs

Reach 56-378 mm / 2.2"-15.0"

Black



Vision's **Vision Flat-Panel Mount - Wall Arm** range is tough and flexible. The VFM-WA2X2/3 fits any flat-panel LCD or LED screen which has 100 x 100 mm, 200 x 200 mm, or 200 x 100 mm rear mounting holes.

Up to 50"

Most displays up to 50" use VESA 100 or 200 mounting points, so the WA2X2 fits the majority of displays up to this size. If a larger display has the correct mounting points and weighs less than the SWL this mount can support it safely.

Fast Installation

The mounting plate fixes to the back of the display, then just drop the display into place on the wall arm and lock in place with two bolts.

SWL 25 kg

This mount has a "safe working load" of 25 kg (55 lb). The single-arm design makes this mount especially flexible.

Cable Management

An included clip keeps cables tidy behind the TV.

Tilt and Swivel

-3° up and 10° down tilt adjustment, and 90° swivel. Use this mount to fix a display in a corner up high in a waiting room, or fix displays around an office or in meeting rooms.

VESA

The VESA standard is based on how far apart the mounting holes are on the back of your flat-panel. Holes 200 x 200 mm apart are known as VESA 200 and will suit this mount. This product also fits displays with smaller VESA sizes listed below. This product also fits displays with smaller VESA sizes listed in the specifications.

Thumbscrews

Thumbscrews are used to fix the display to help speed up the installation of this mount.

SPECIFICATIONS

PRODUCT DIMENSIONS

see image

PACKAGED DIMENSIONS

295 x 238 x 65 mm / 11.6" x 9.37" x 2.5" (length x width x height)

PRODUCT WEIGHT

1.8 kg (4.0 lbs)

PACKAGED WEIGHT

2.0 kg (4.4 lbs)

SAFE WORKING LOAD

25 kg (55 lbs)

CONSTRUCTION MATERIAL

Wall Plate: 2.5 mm / 0.098" steel VESA Plate: 1.8 mm / 0.071" cold-rolled steel Arms: 1.2 mm / 0.047 cold-rolled steel Arm Tube Size: 30 x 20 mm / 1.2" x 0.8"

COLOUR

Black

VESA SIZES

200 x 200 mm 200 x 100 mm 100 x 100 mm

ACCESSORIES INCLUDED

4 x M6 14 mm thumb screws 4 x M8 20 mm thumb screws

WARRANTY

Lifetime return-to-base

COMPLIANCES

RoHS, REACH

