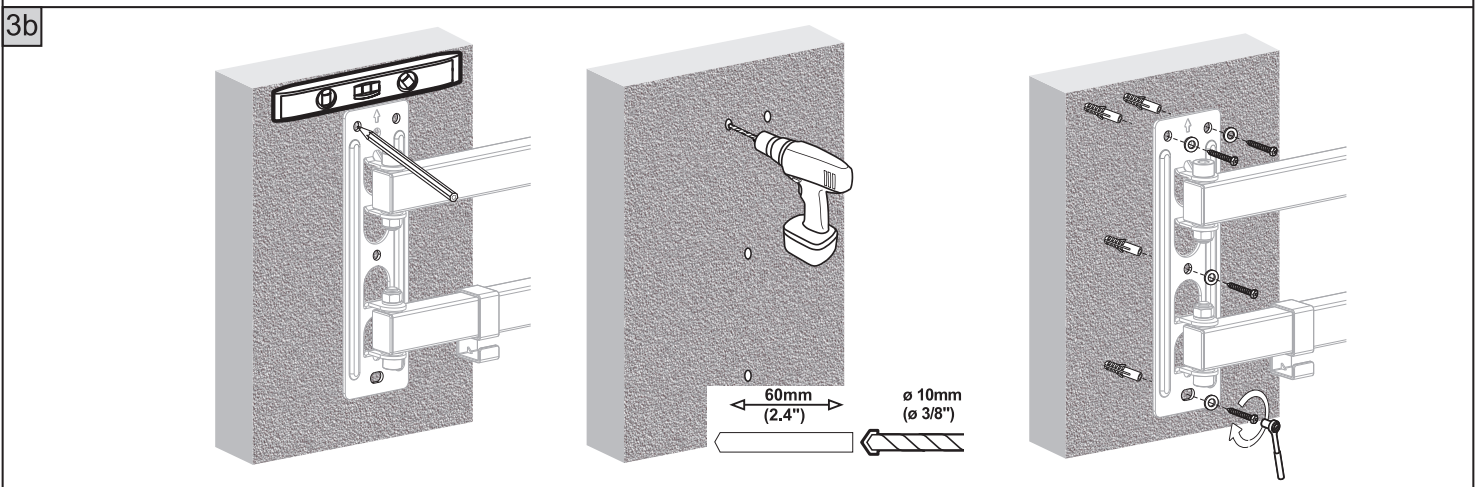
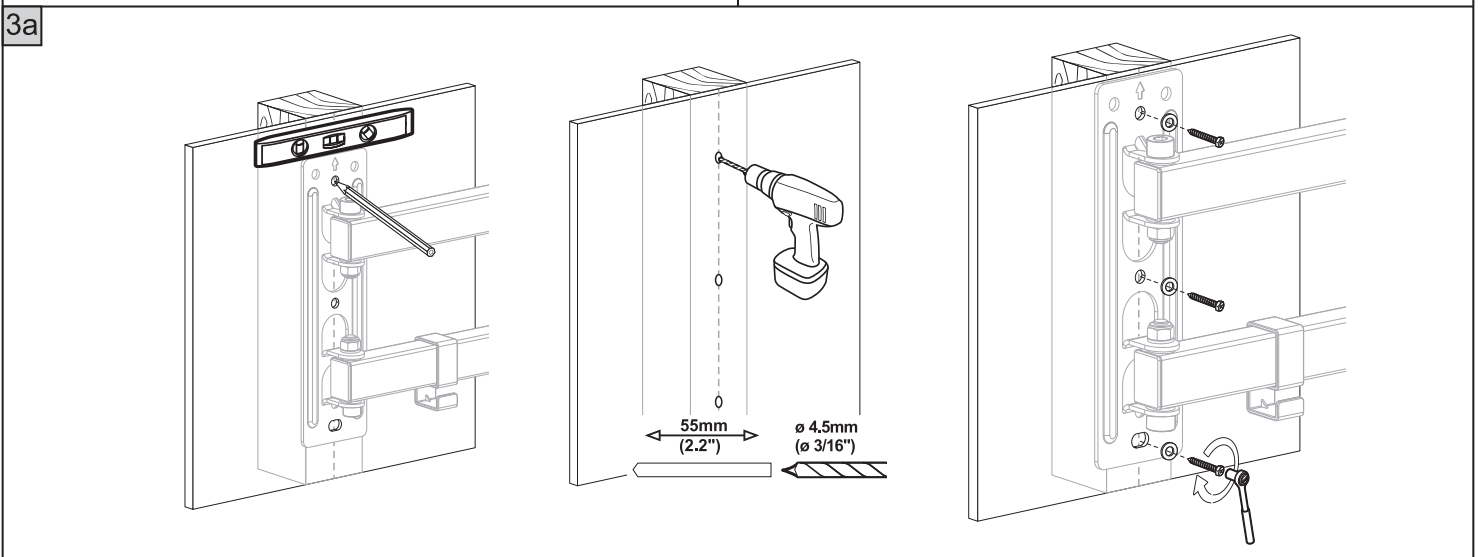
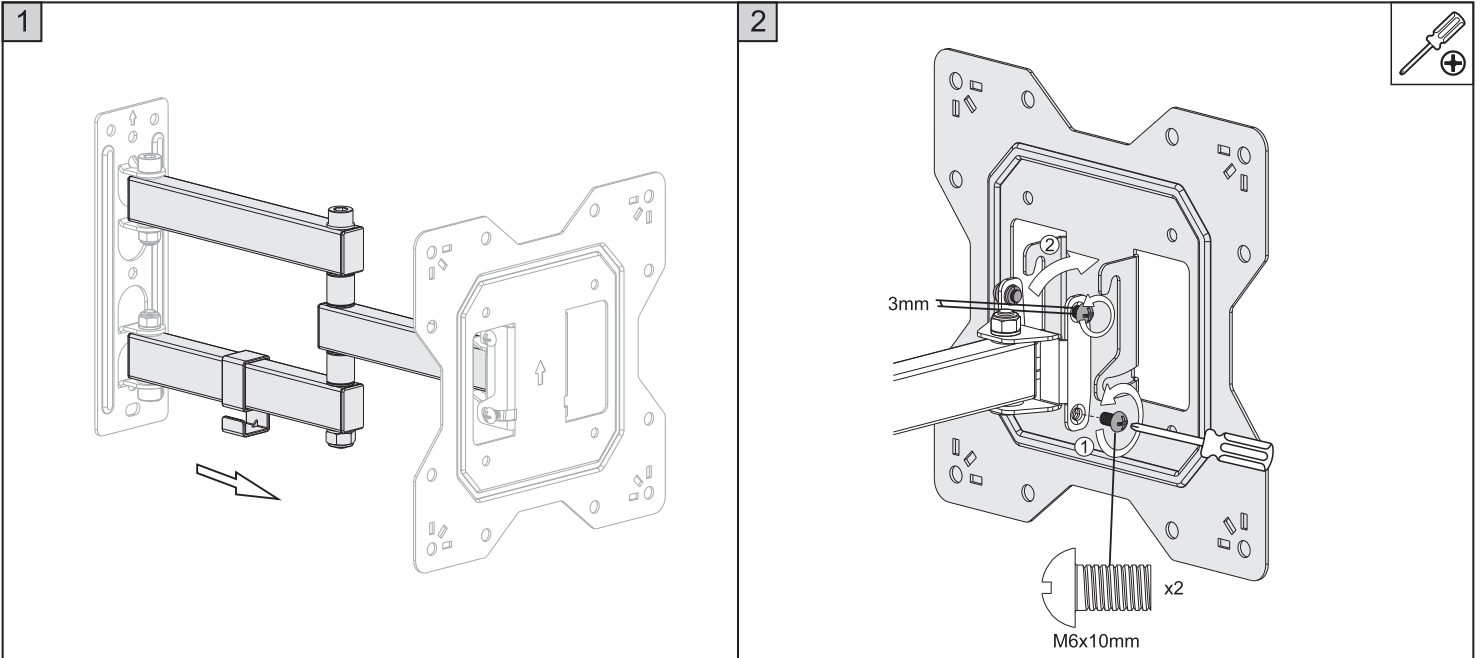


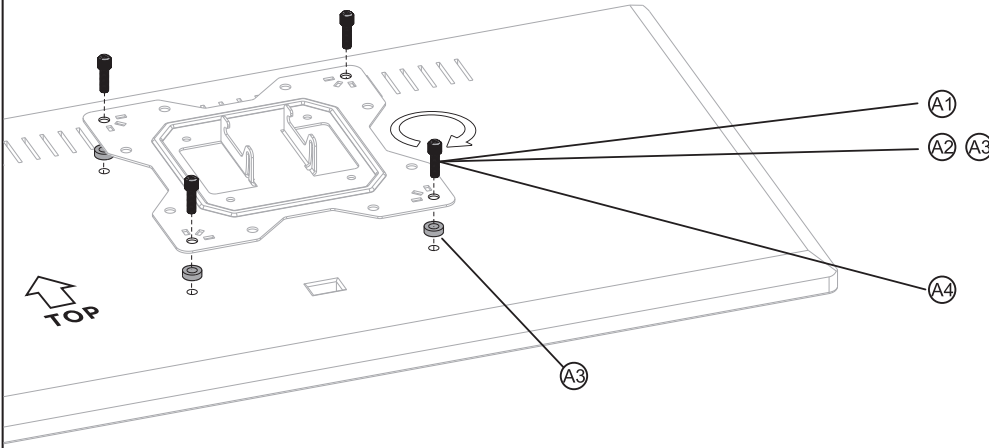
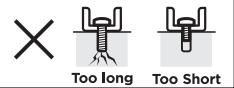
# VISION

VFM-WA2X2/3

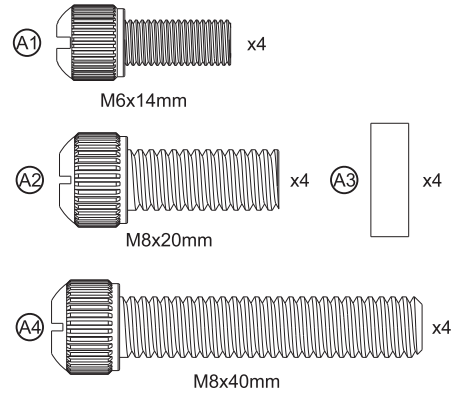
[vav.link/vfm-wa2x2-3/](http://vav.link/vfm-wa2x2-3/)



4

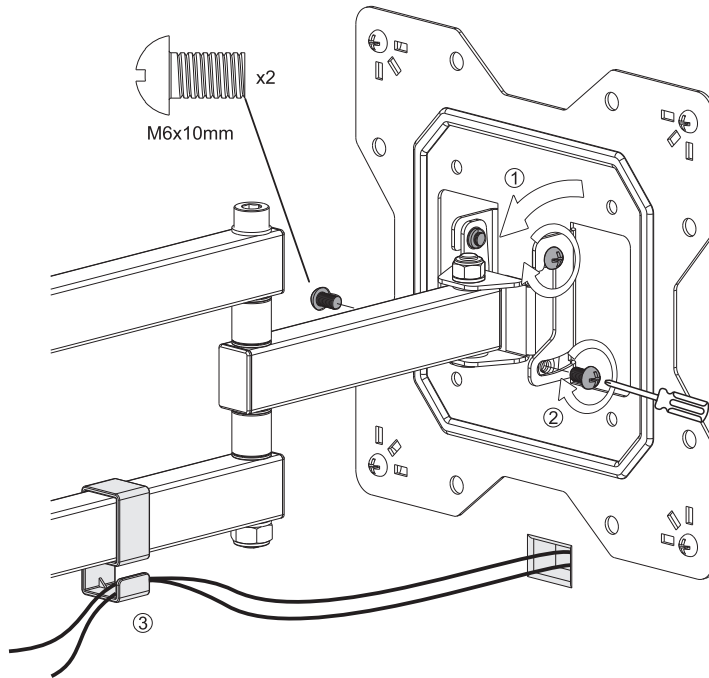


OPTIONAL



If you use a Samsung TV with deeper VESA holes, please use M8x40 screws and Samsung spacers. (these spacers are included with Samsung TV)

5



6

