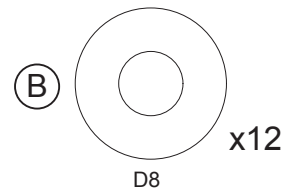
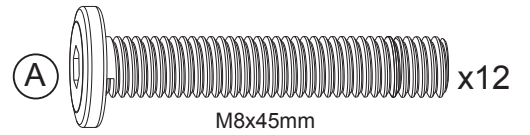
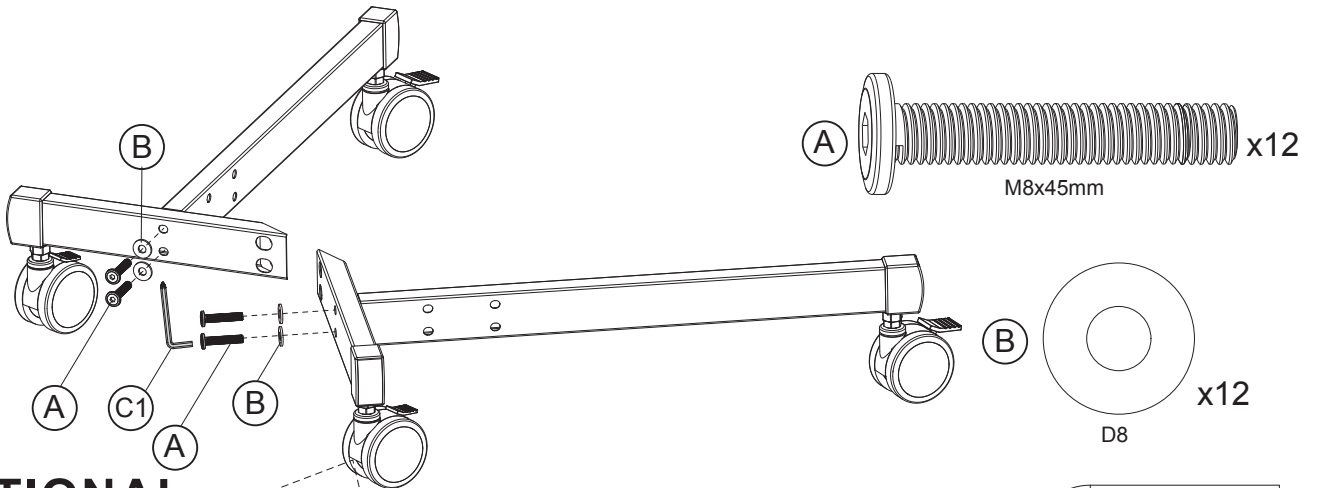
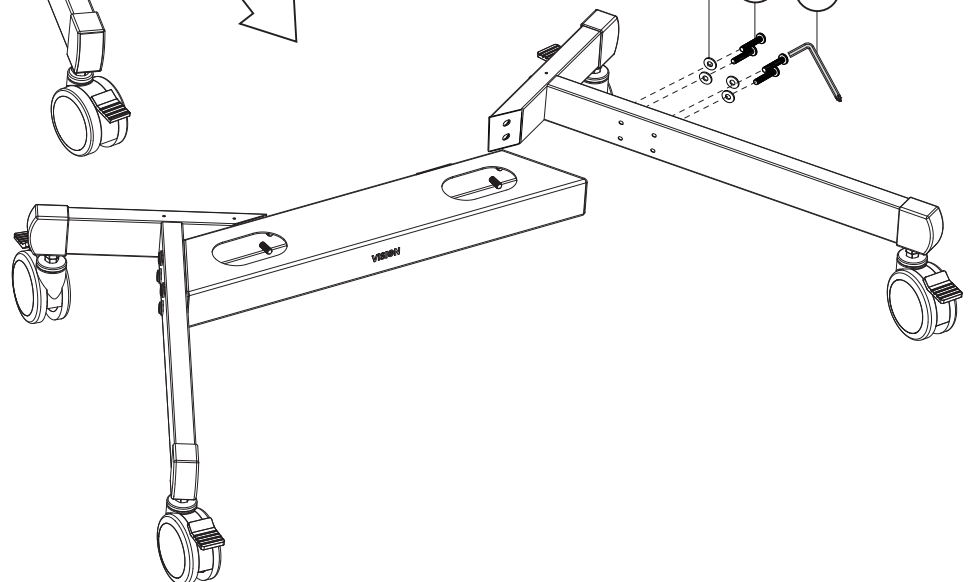
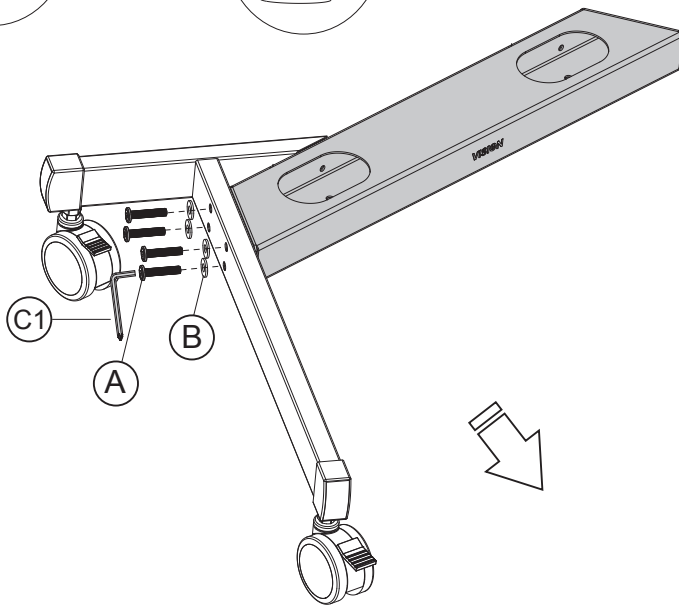
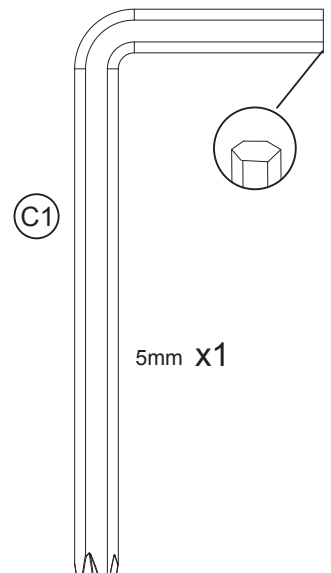
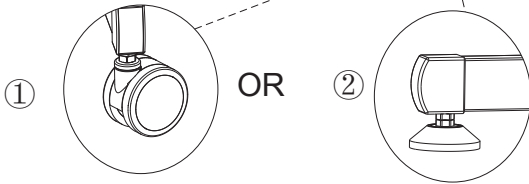


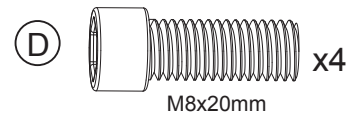
1



OPTIONAL

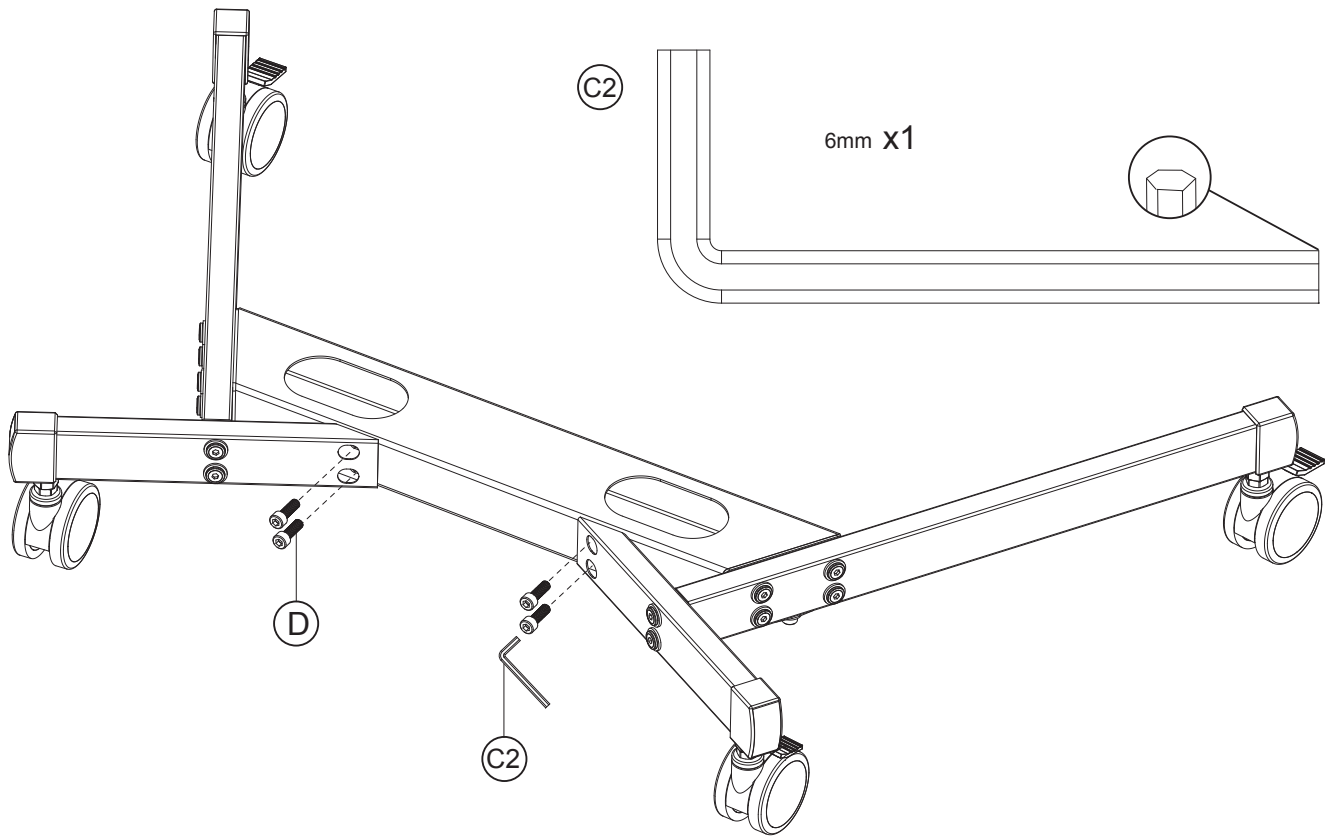
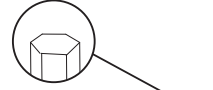


2

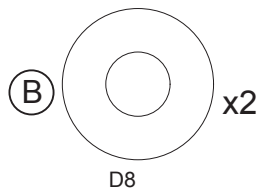
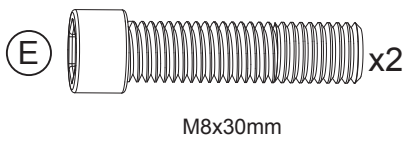


②

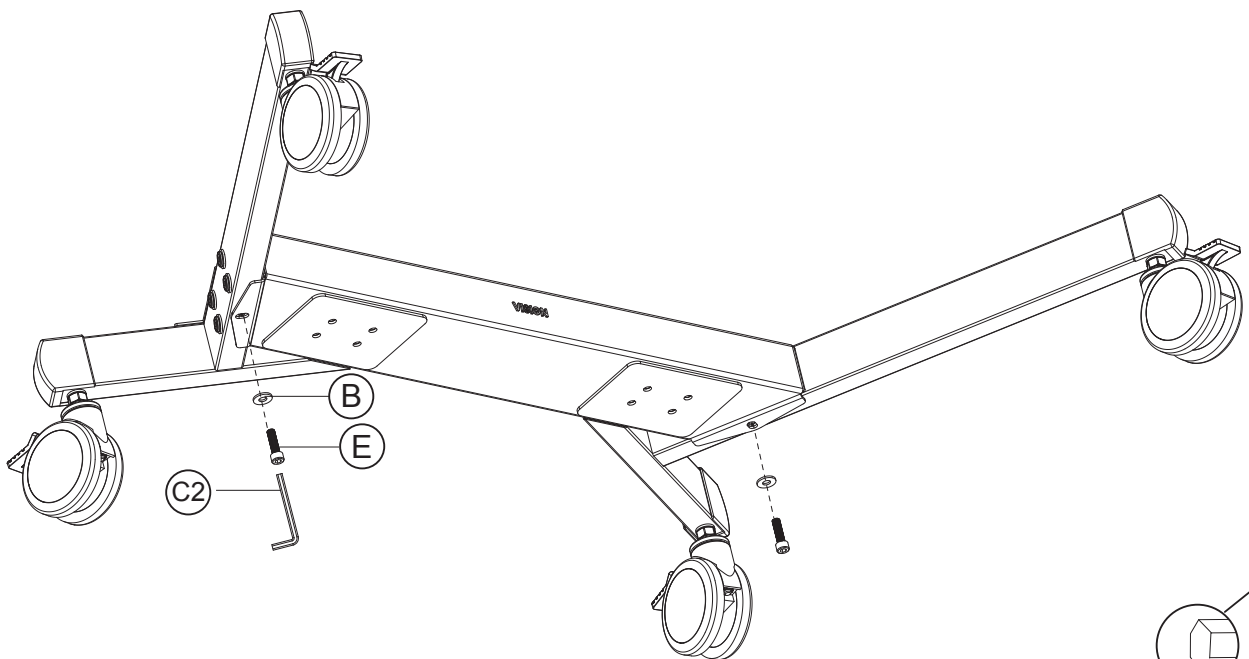
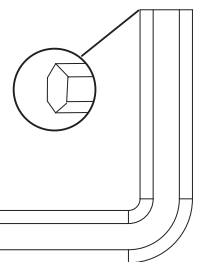
6mm X1



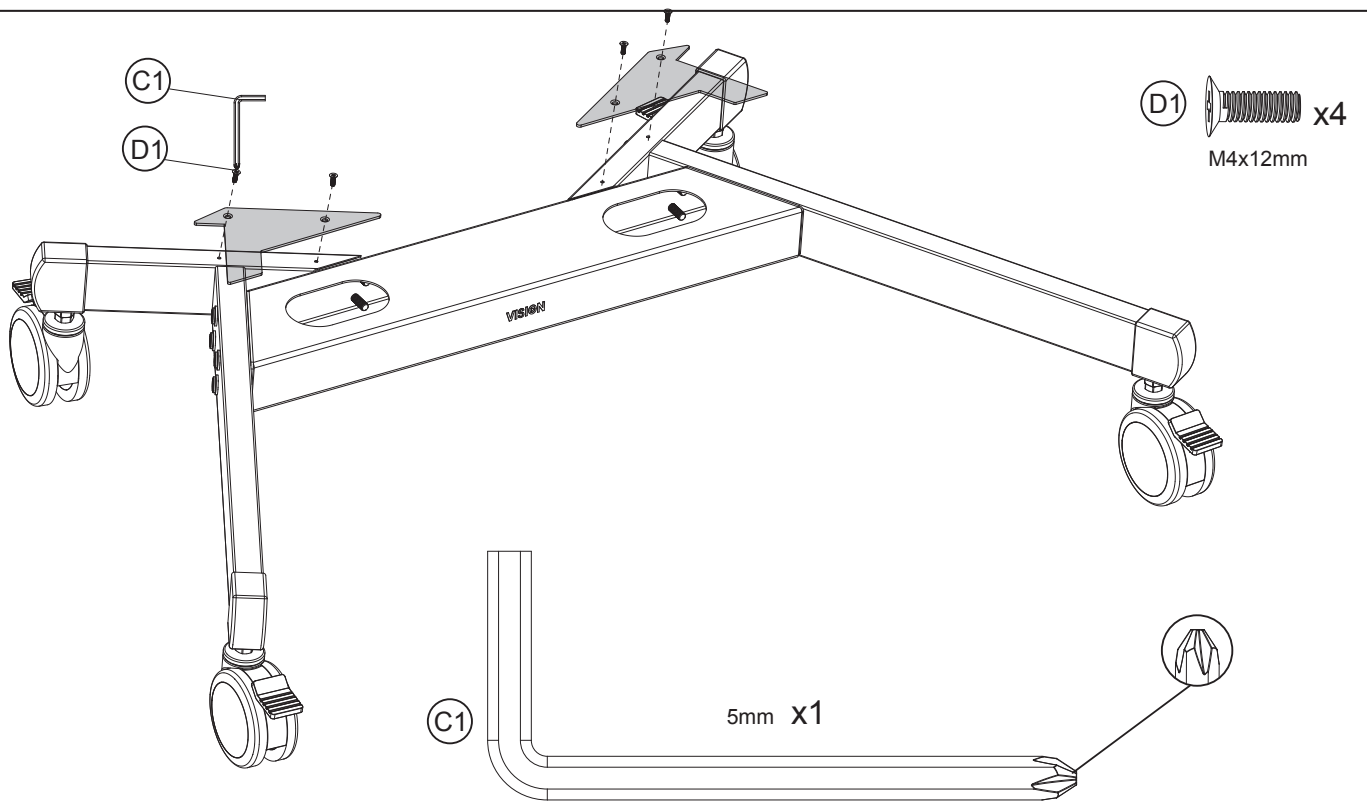
3



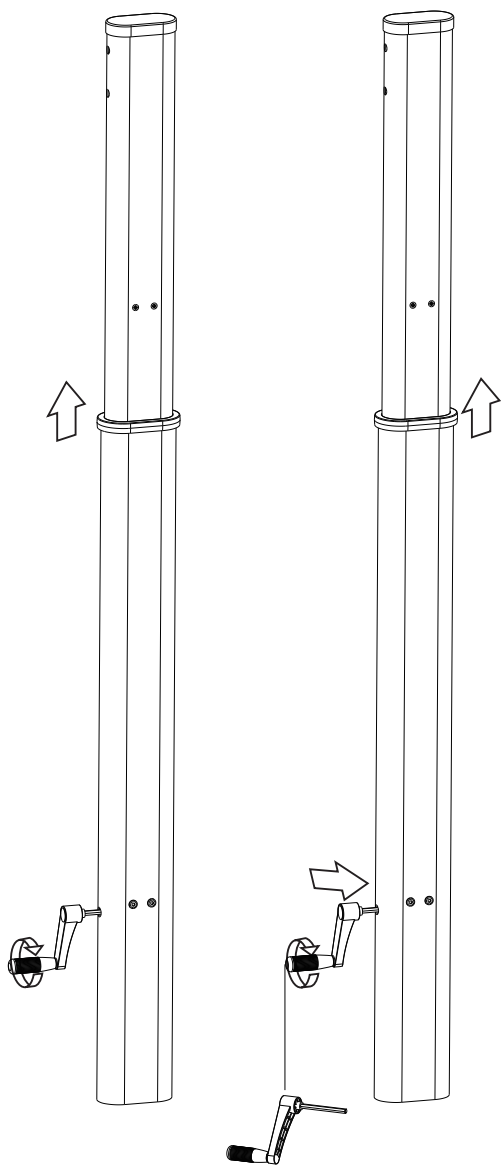
② 6mm X1



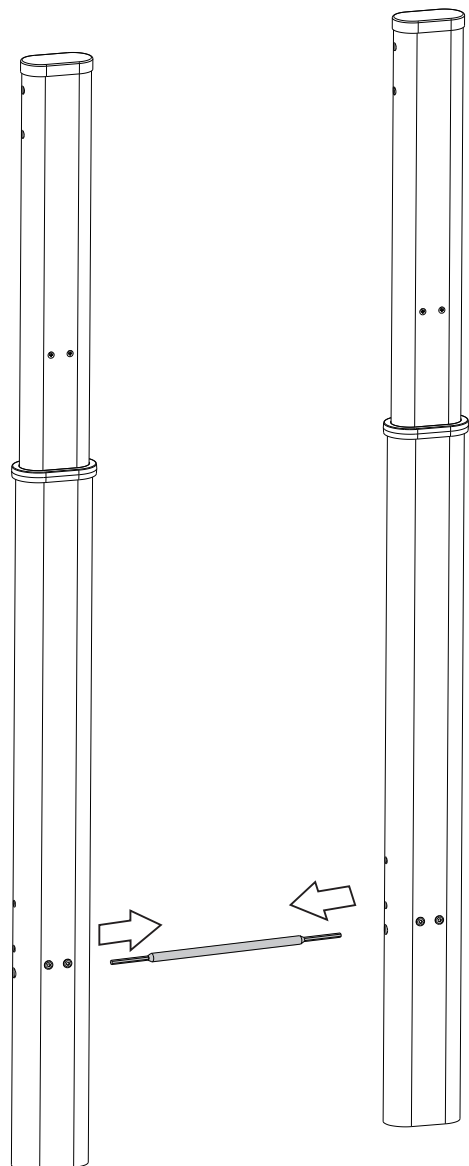
4



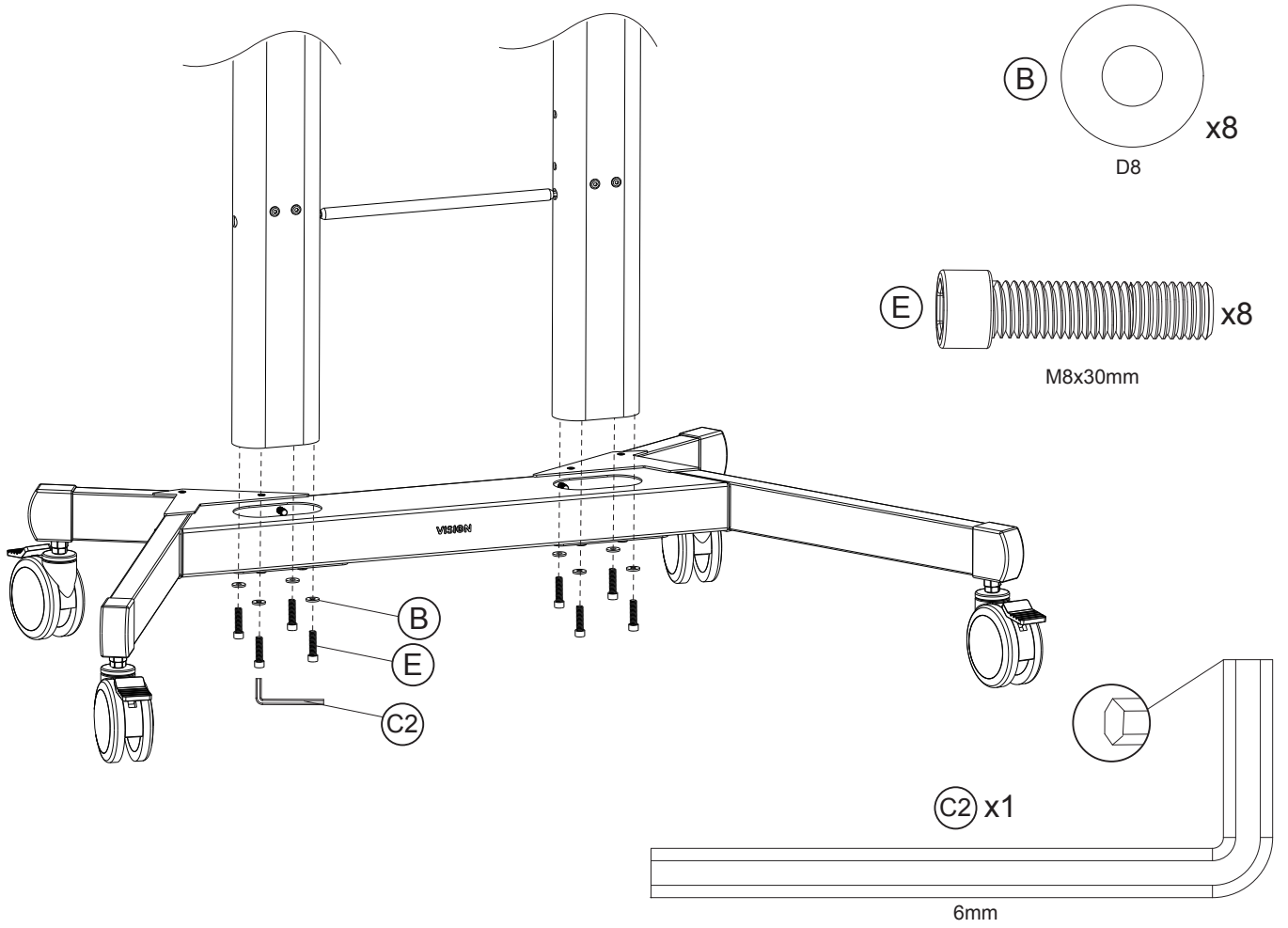
5



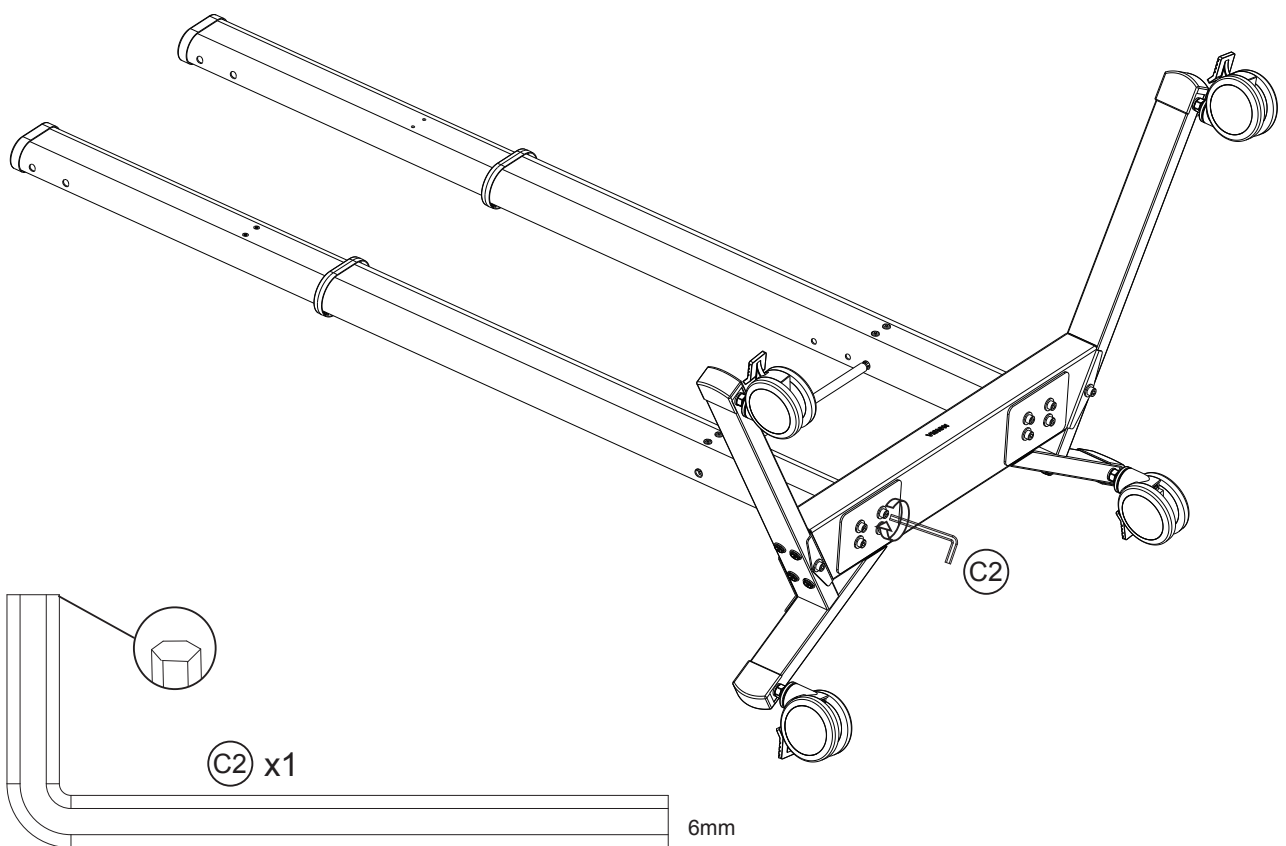
6



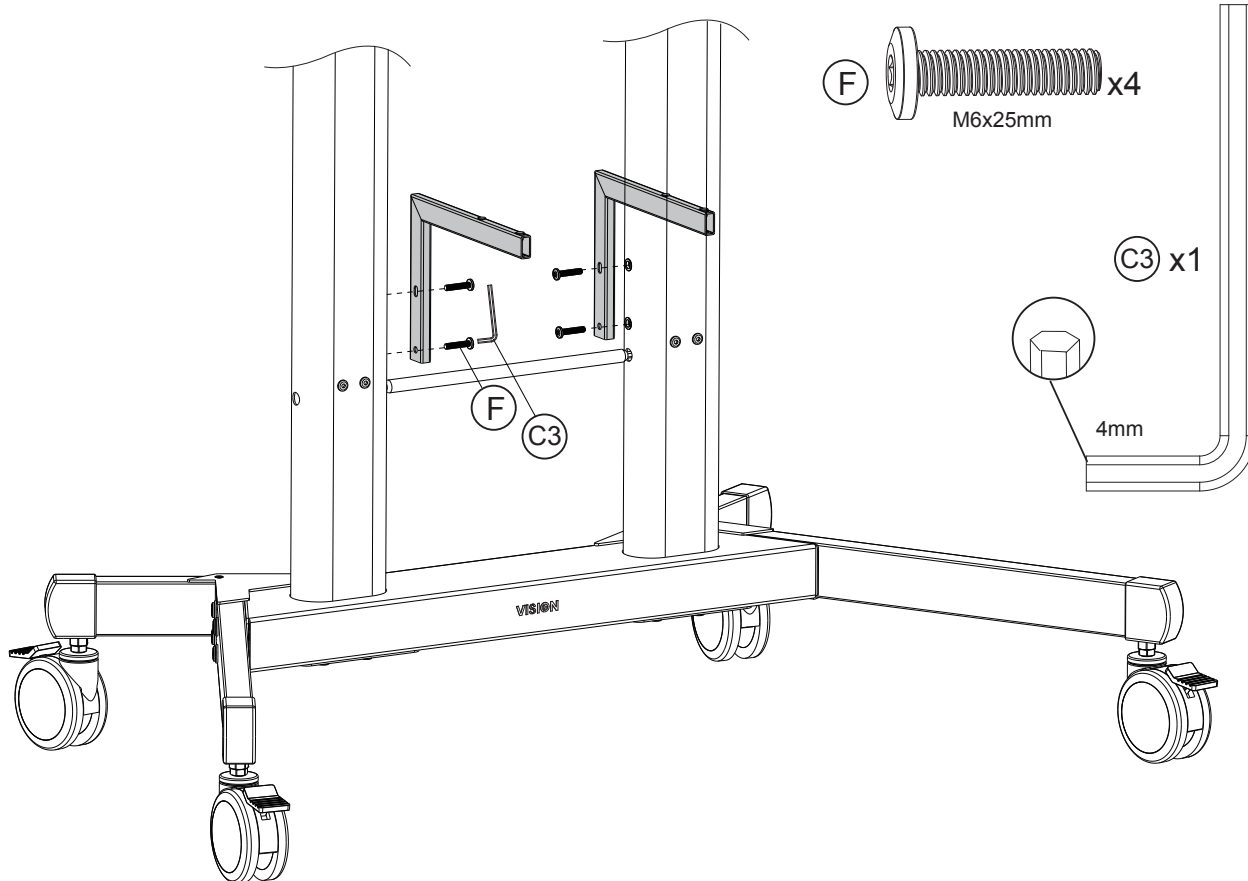
7



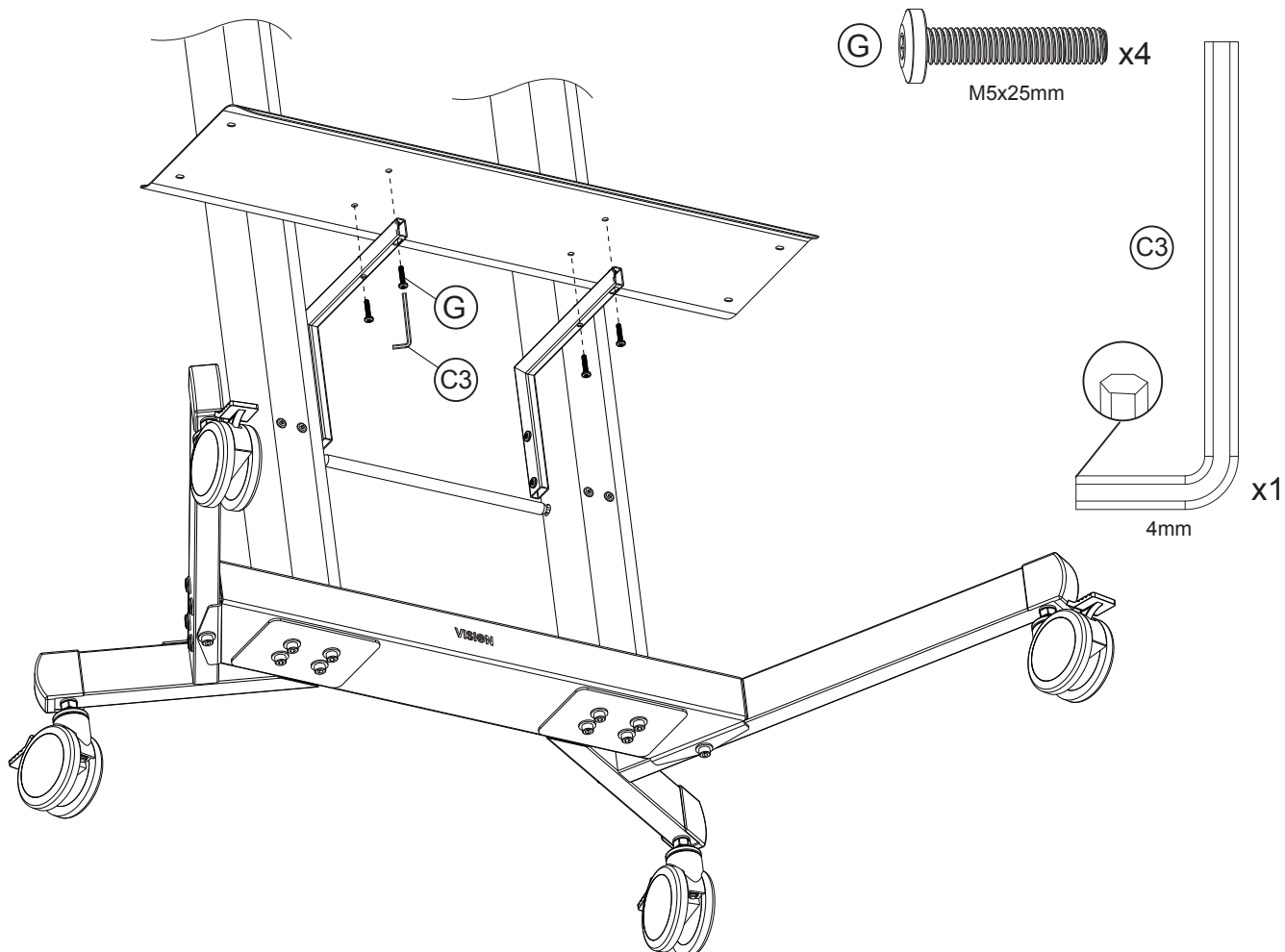
8



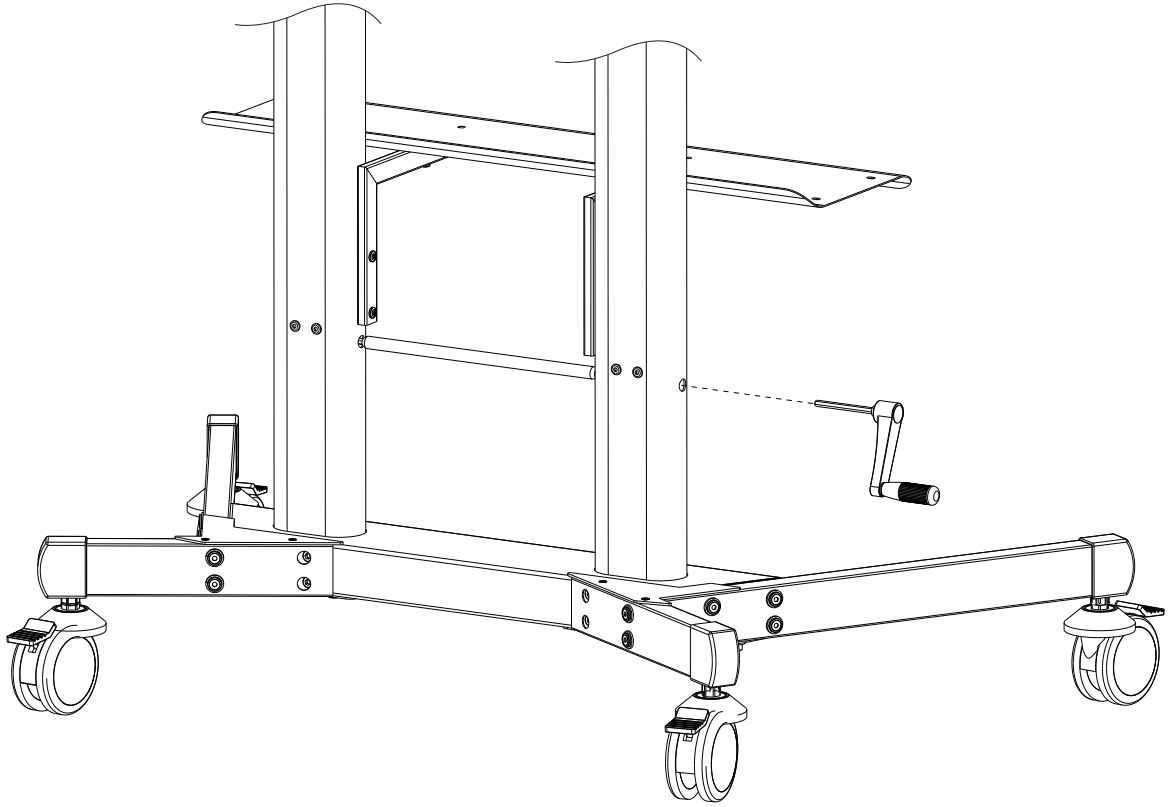
9



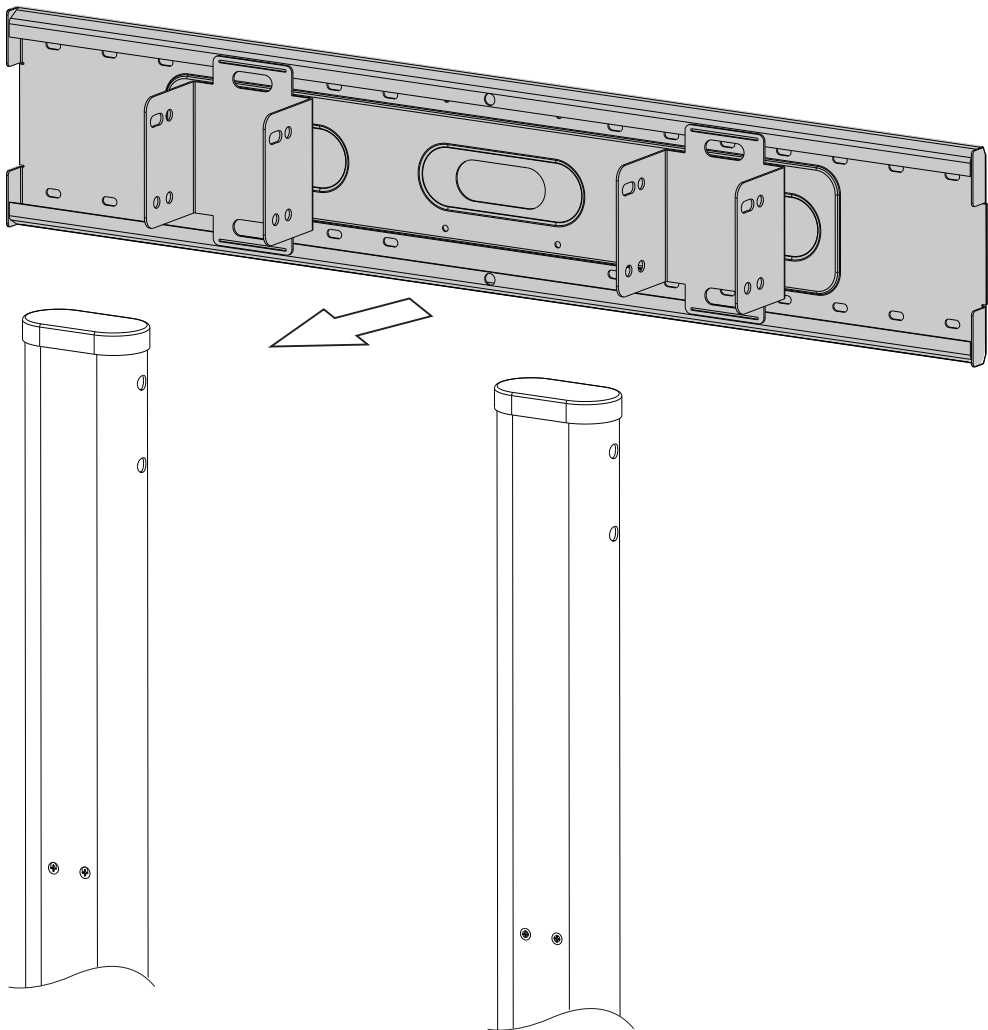
10

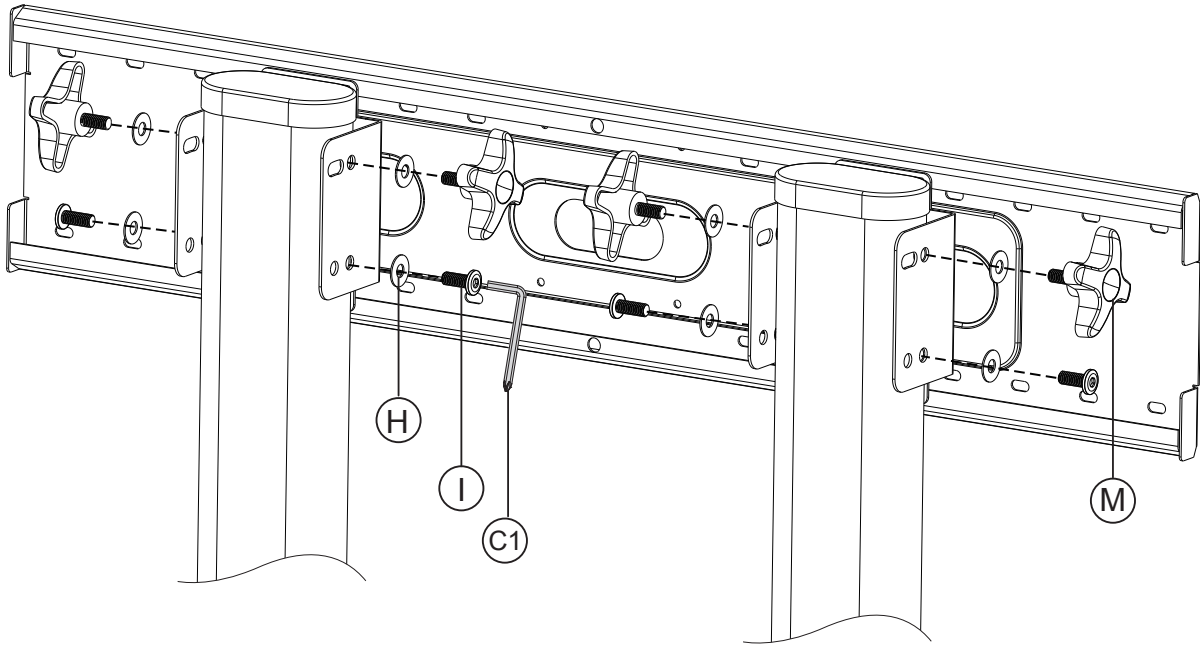


11

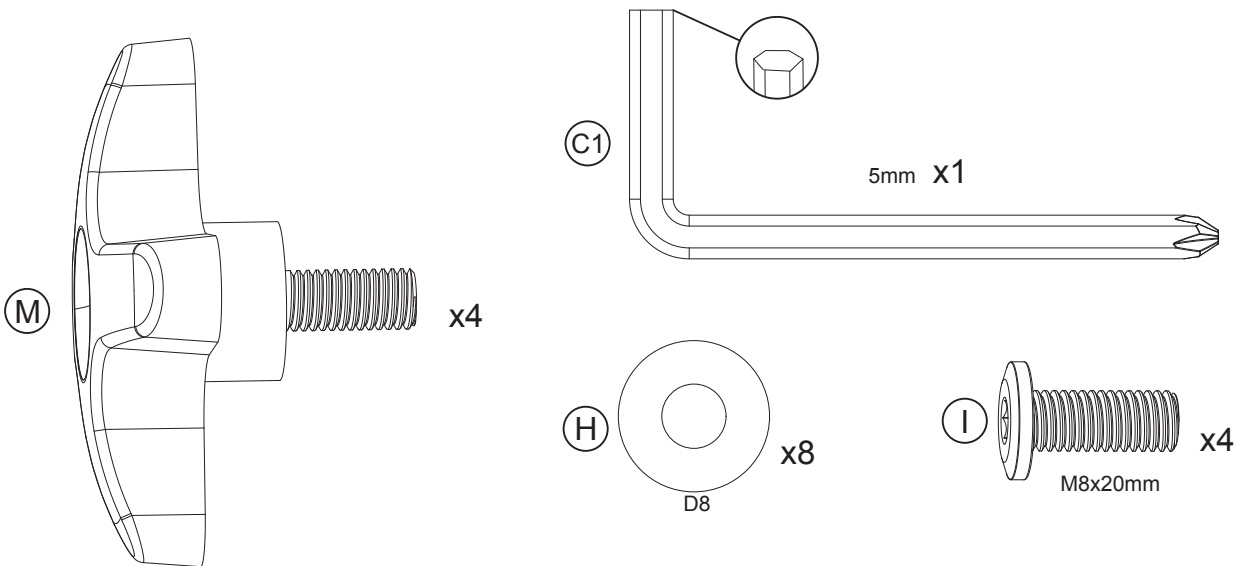
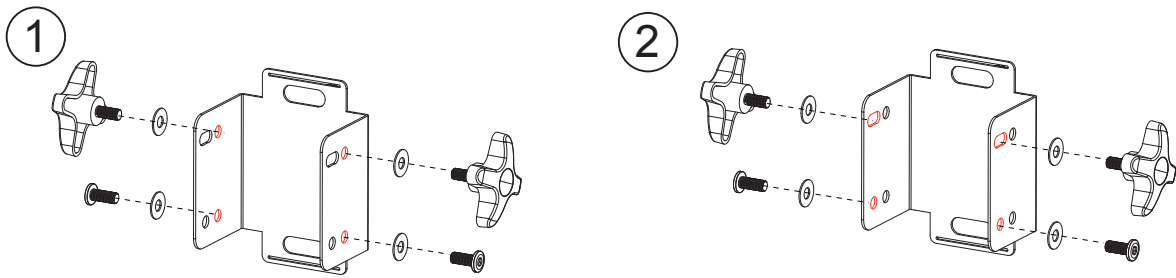


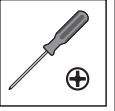
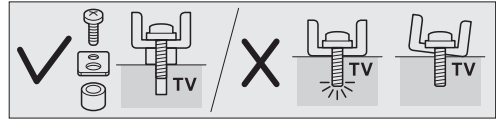
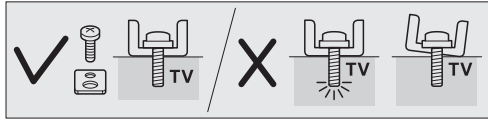
12



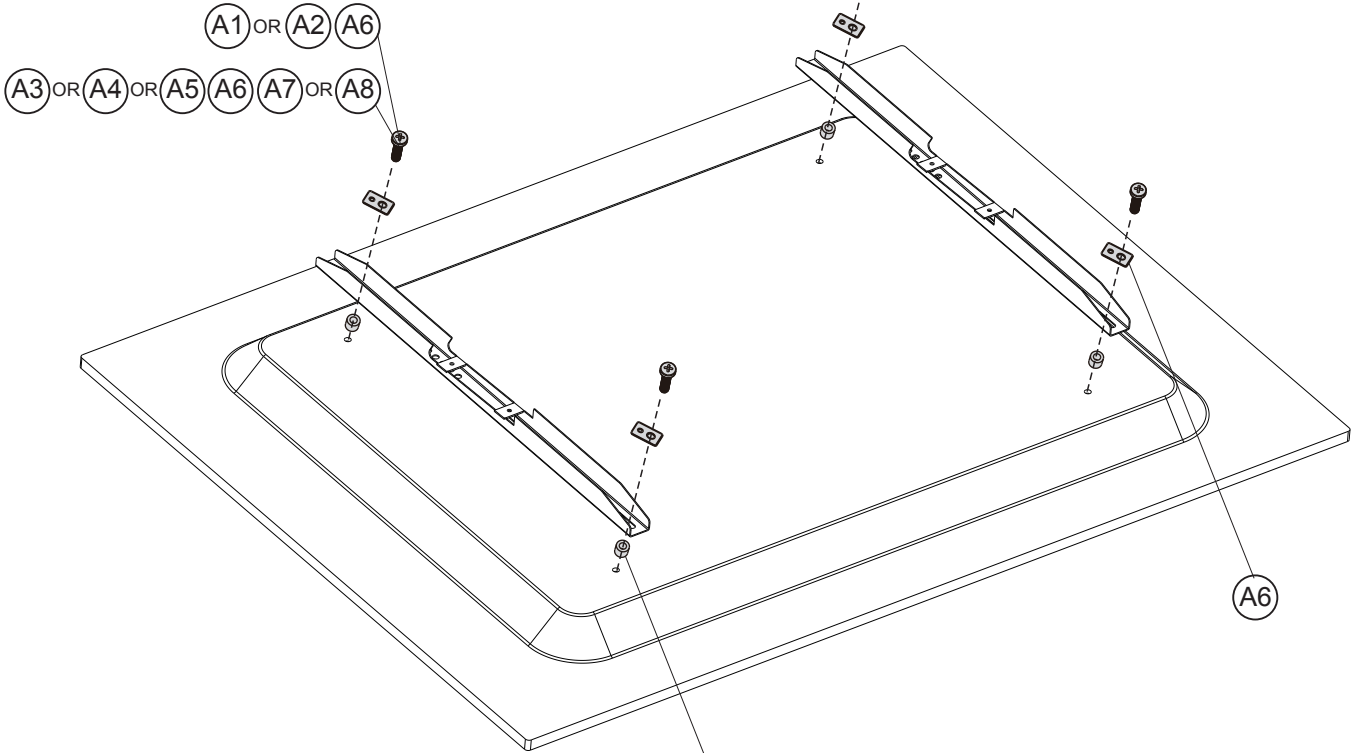



OPTIONAL

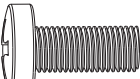






OPTIONAL

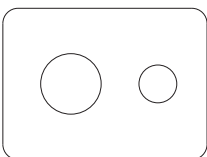



(A1)  x4
M5x14mm


(A2)  x4
M6x14mm

(A3)  x4
M6x30mm

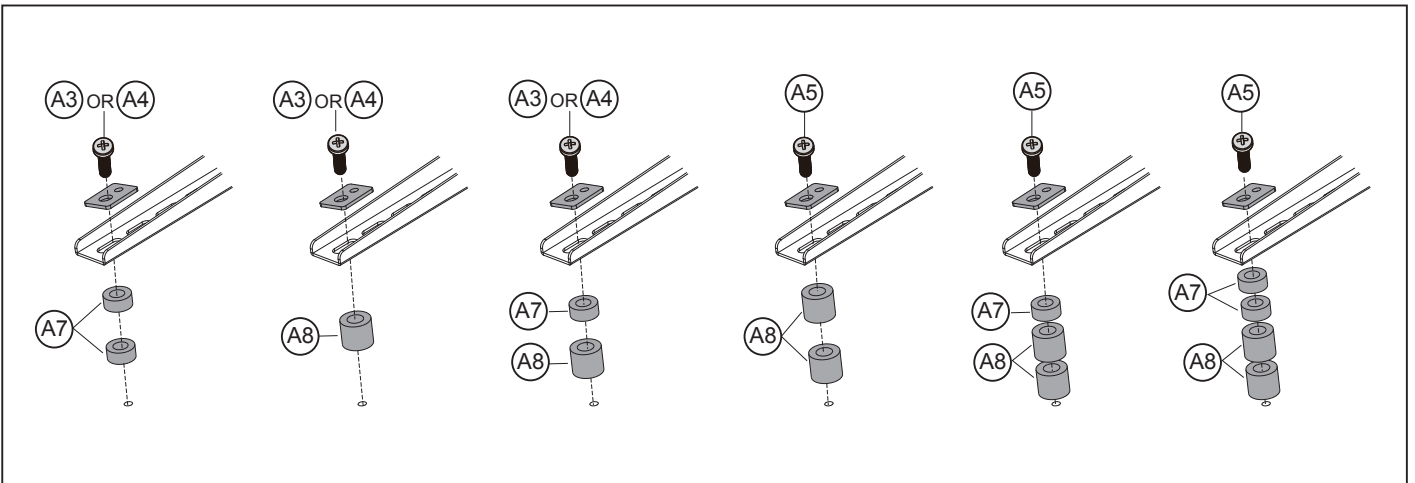
(A4)  x4
M8x30mm

(A6)  x4

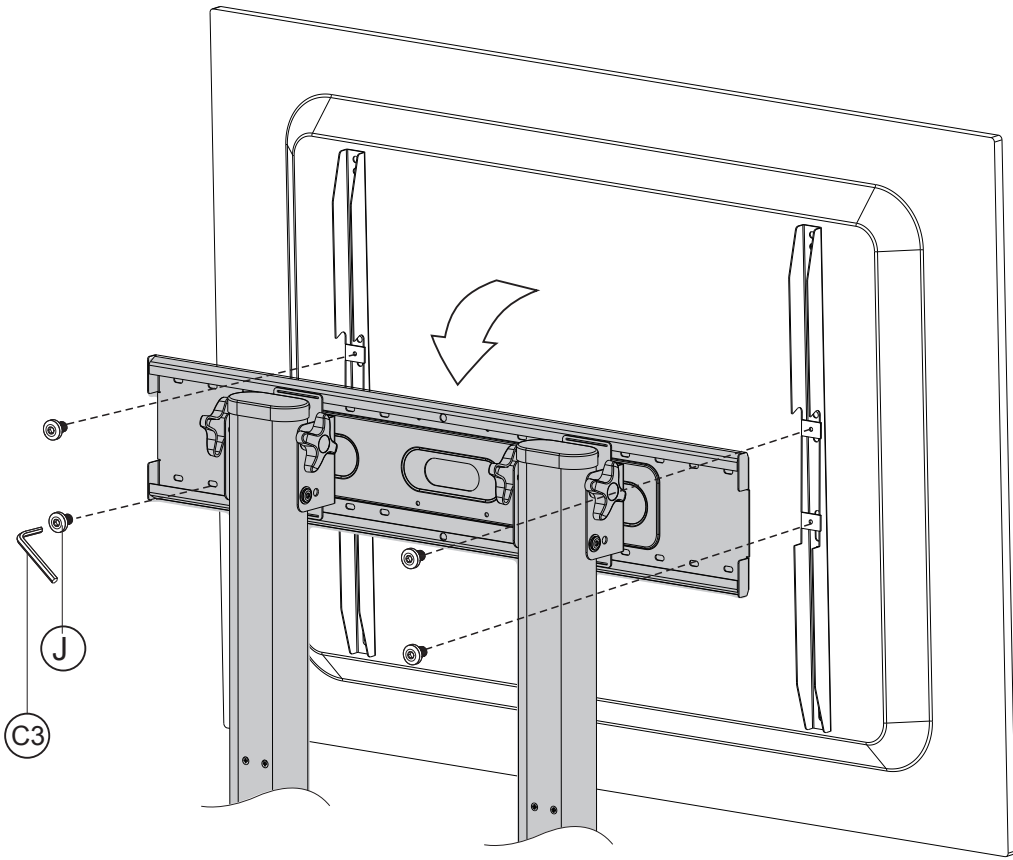
(A7)  x4

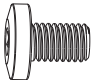
(A5)  x4
M8x50mm

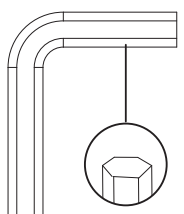
(A8)  x4



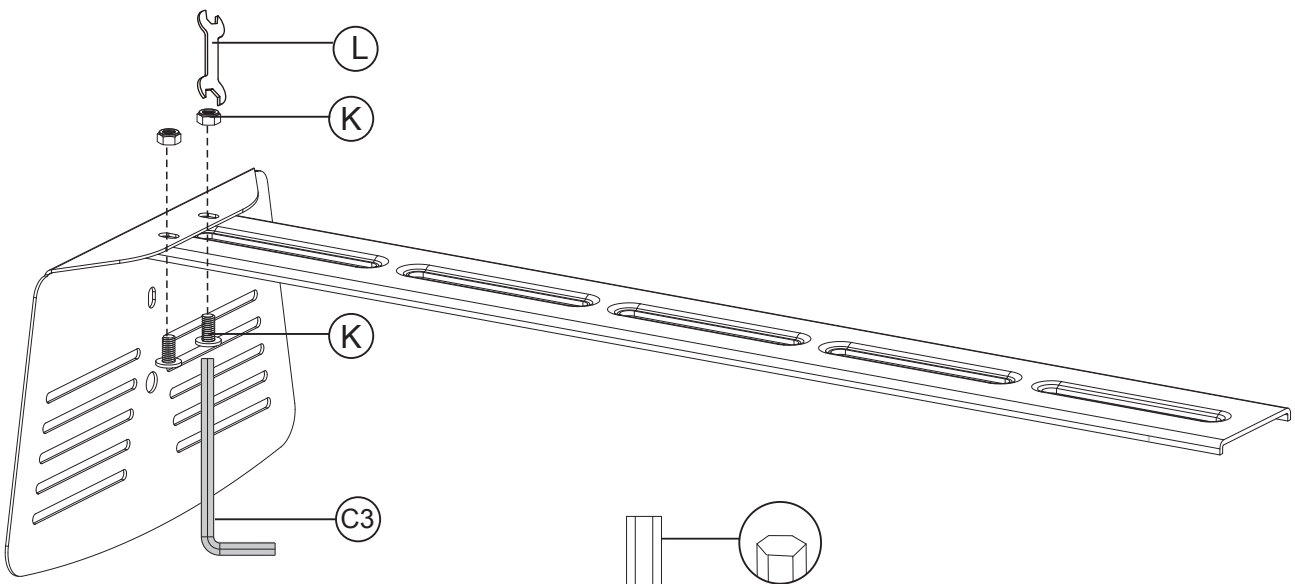
16

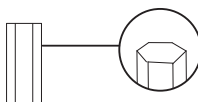



(J)  x4
M5x8mm

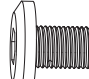
(C3)  x1
4mm

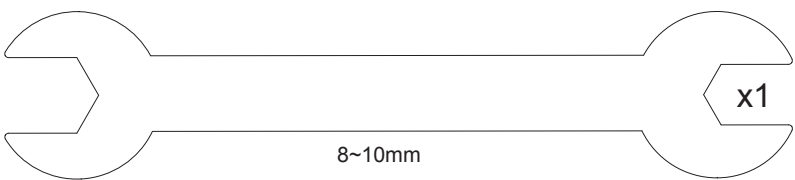
17



(C3)  x1
4mm

(K)  x2
M6

(K)  x2
M6x12mm

(L)  x1
8~10mm

