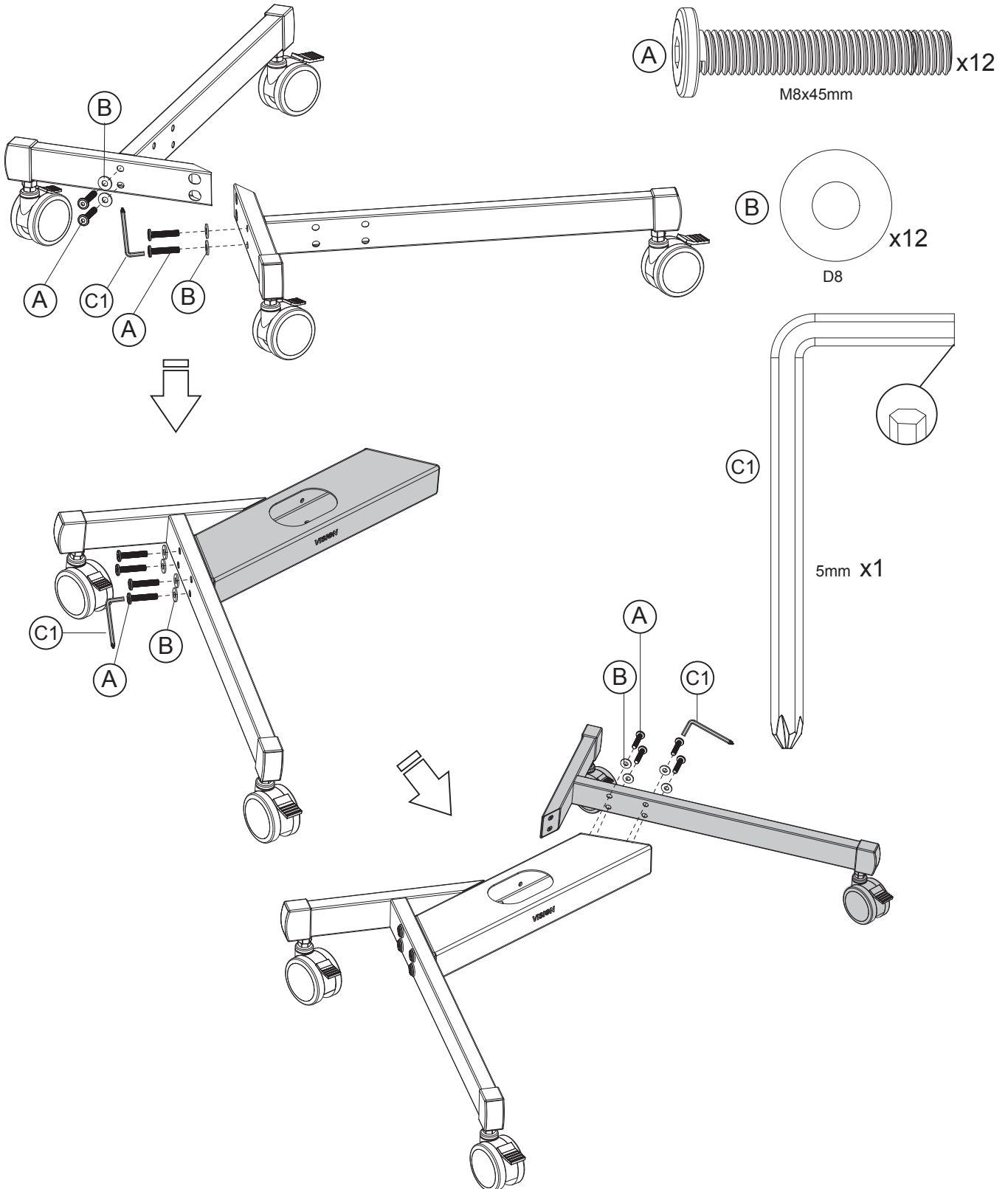
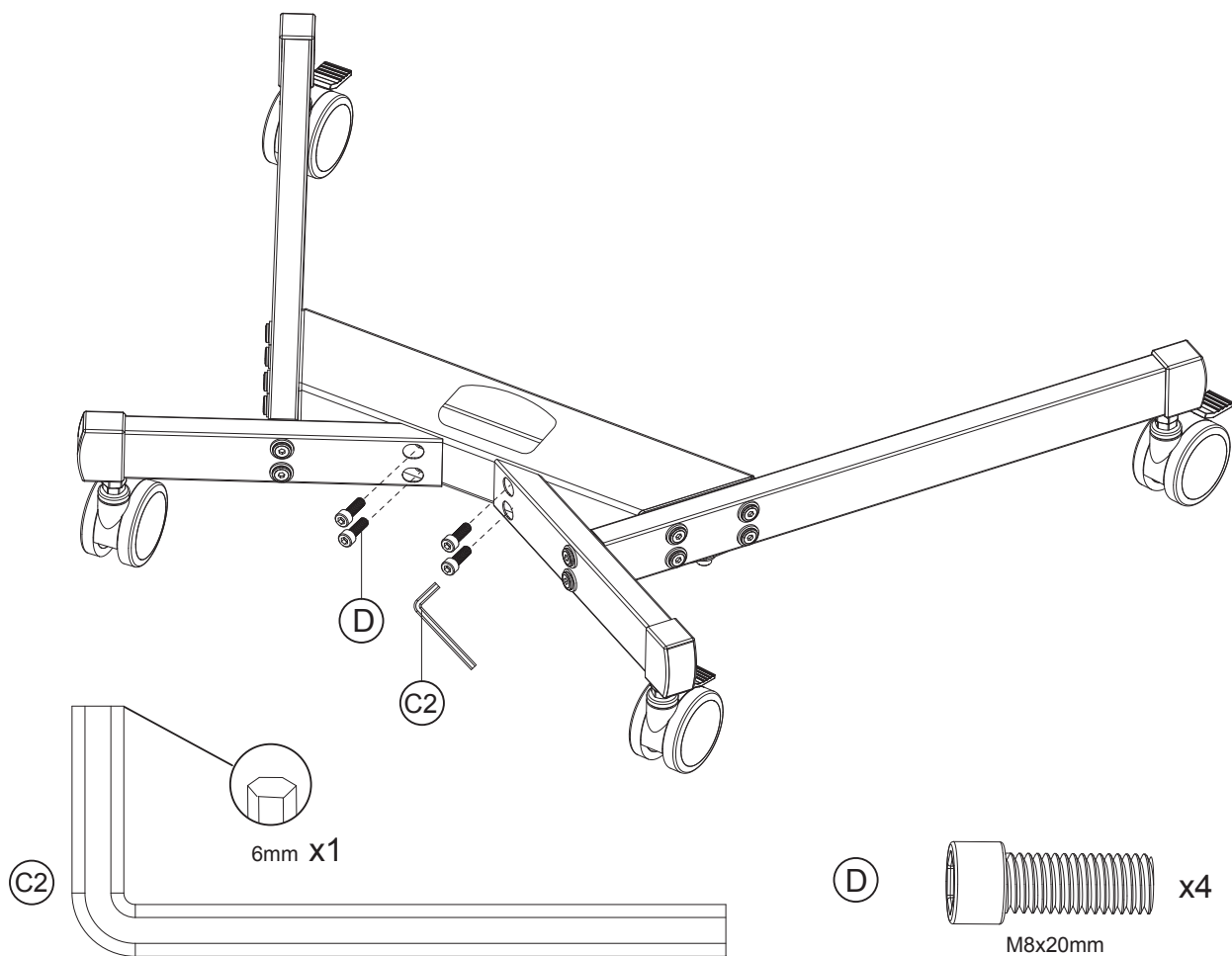


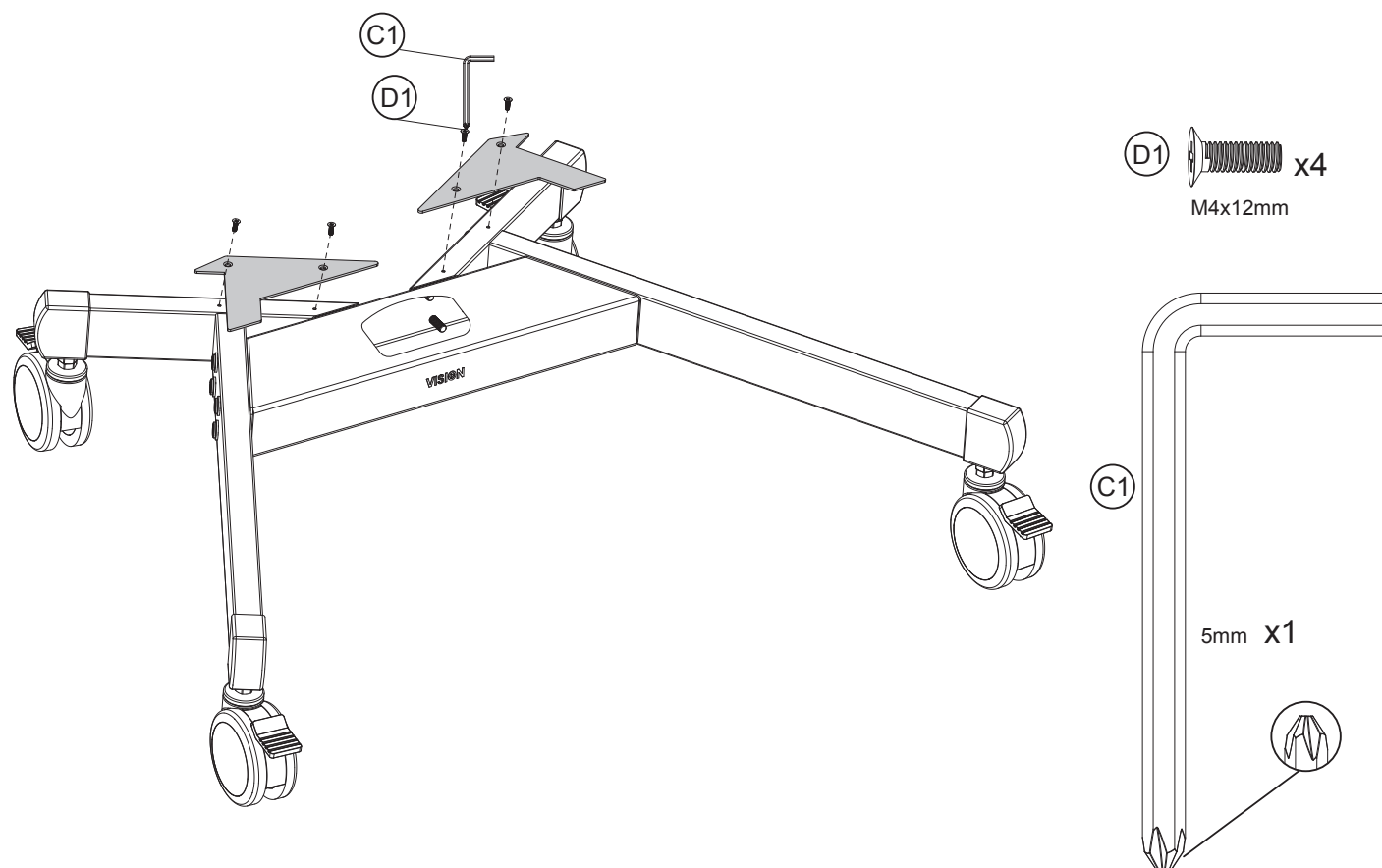
1



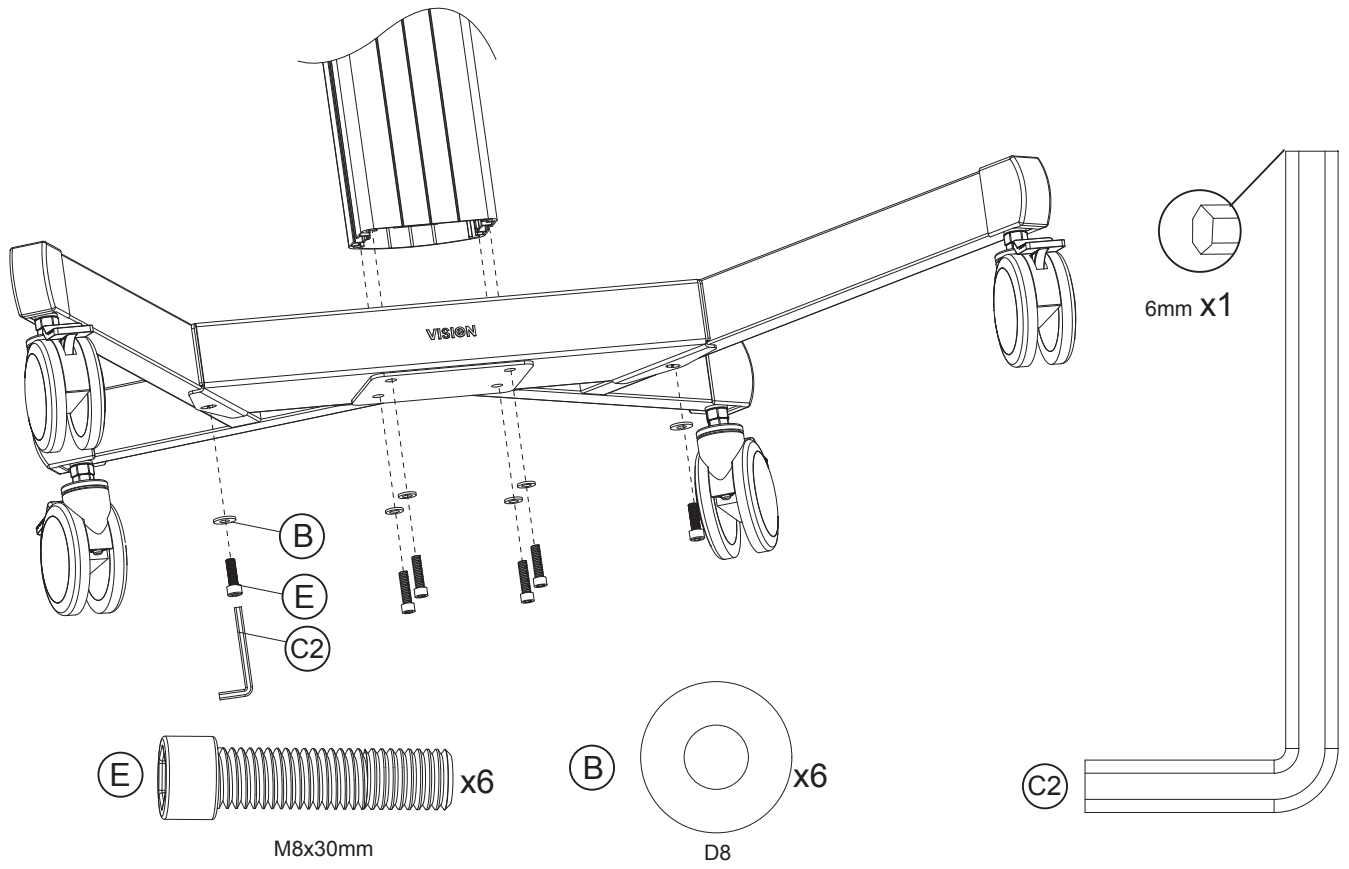
2



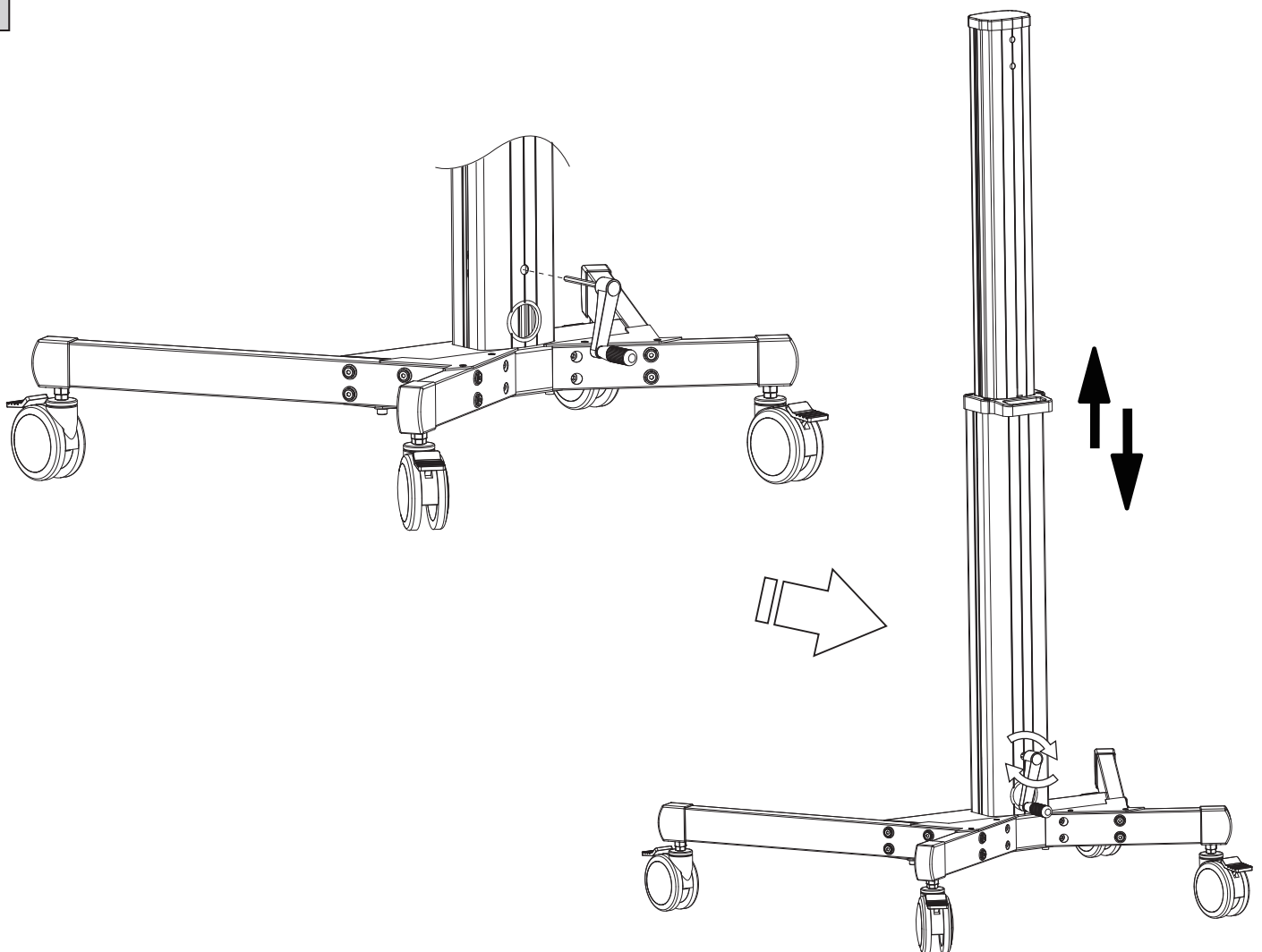
3



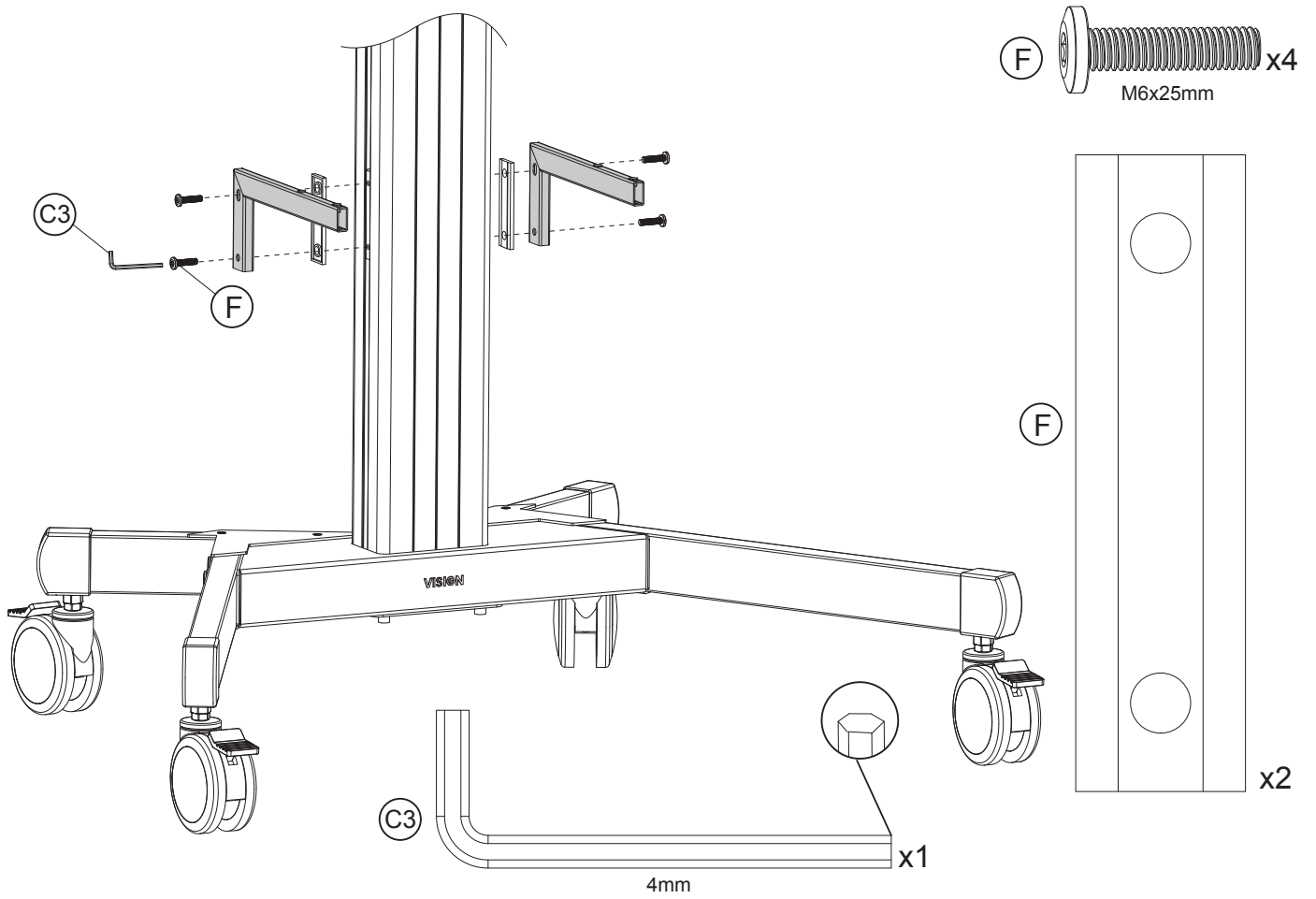
4



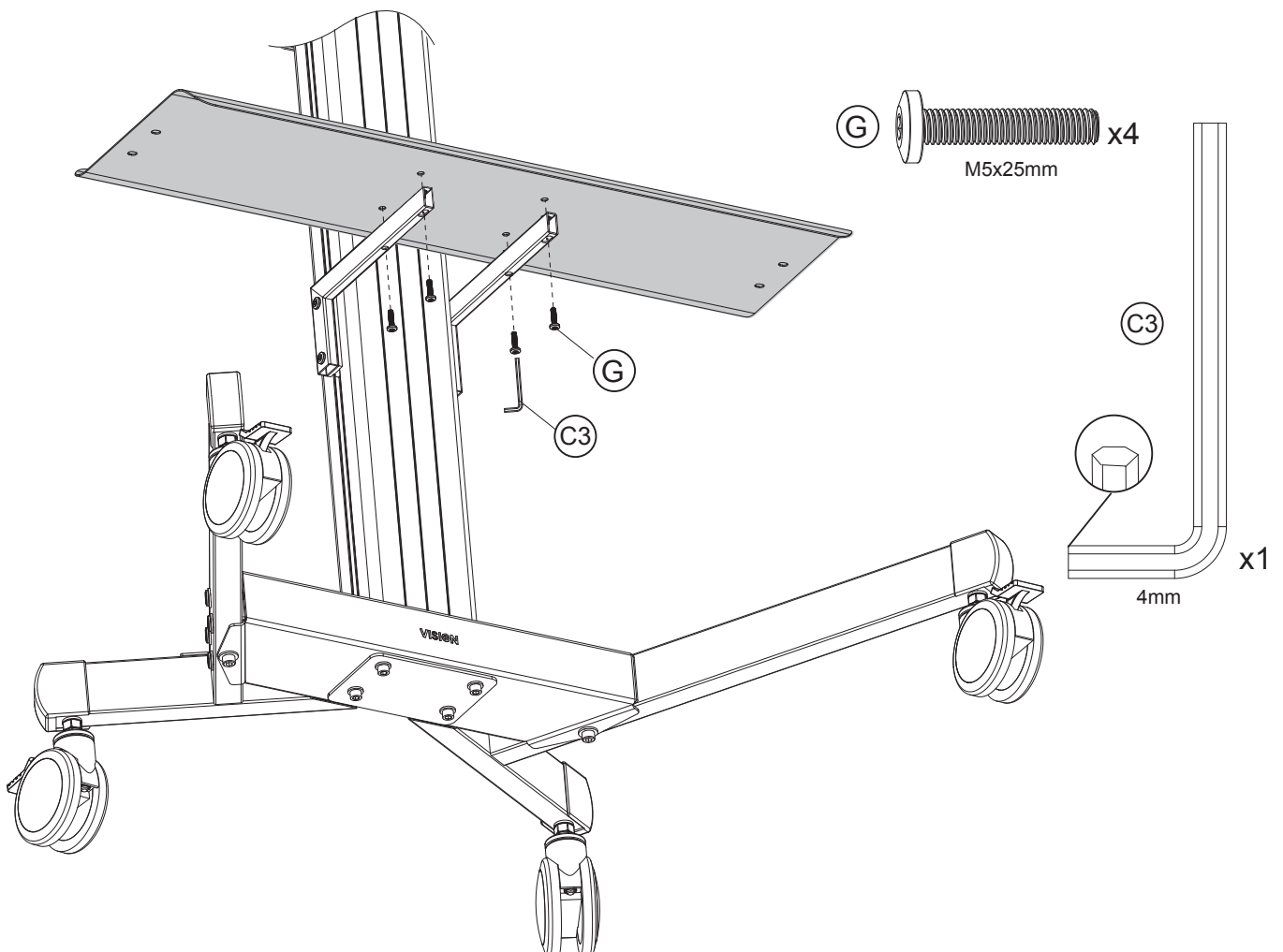
5

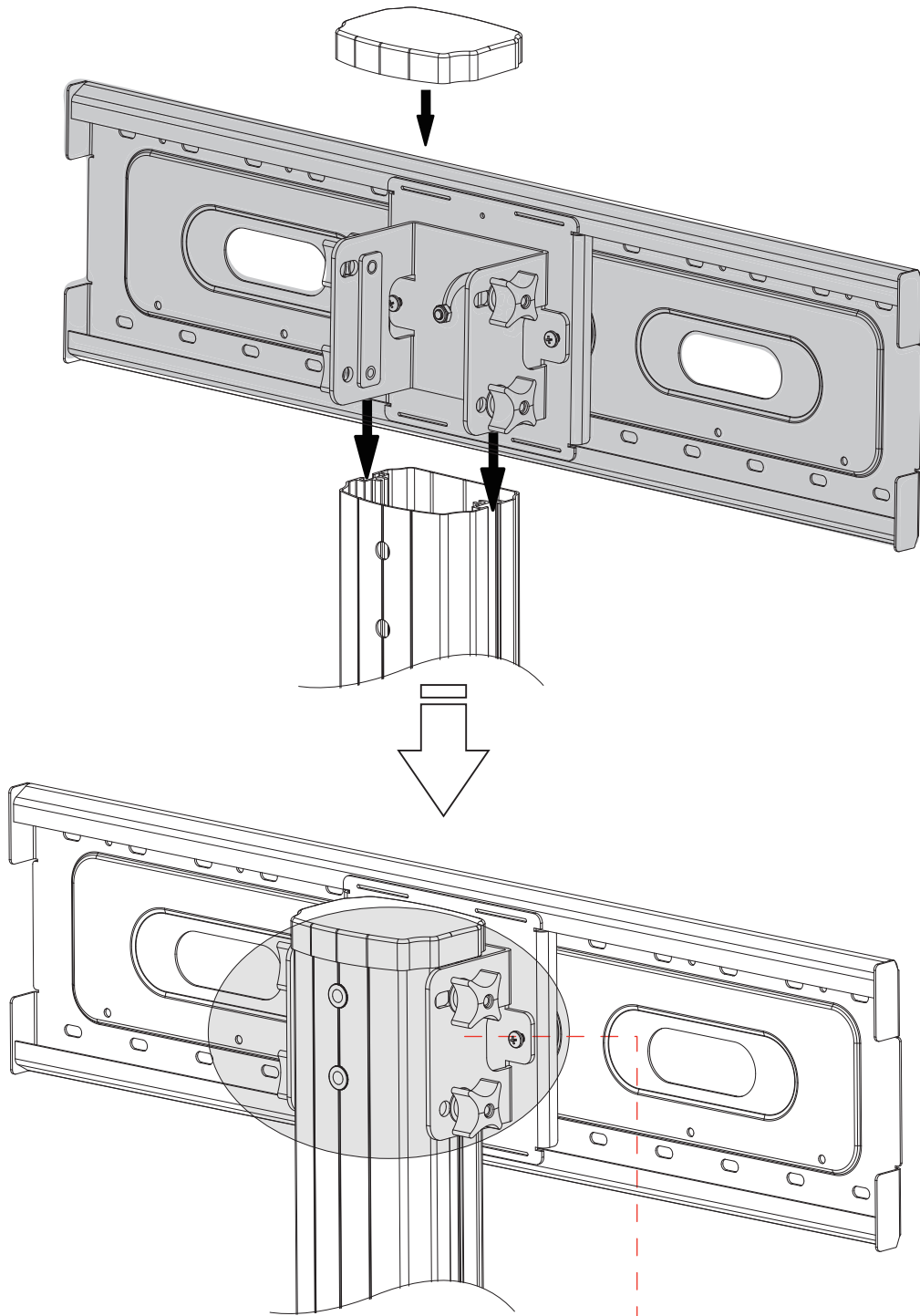


6

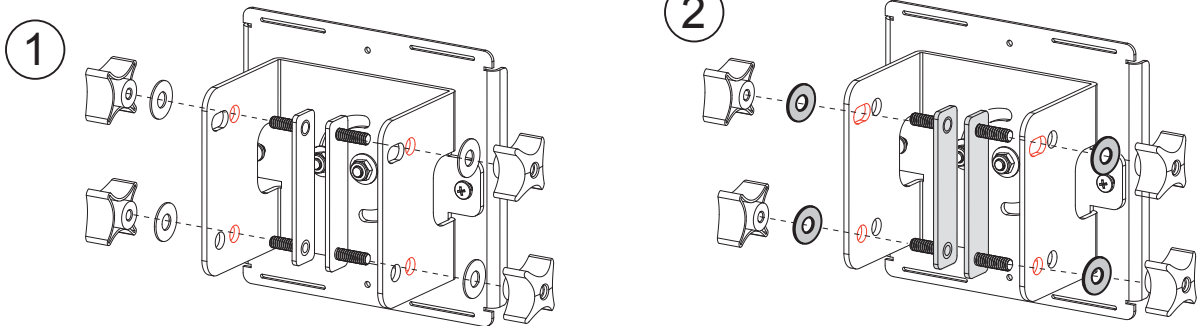


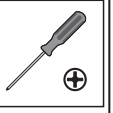
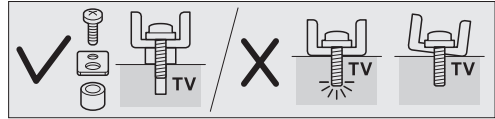
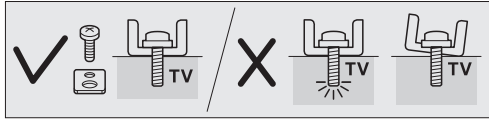
7



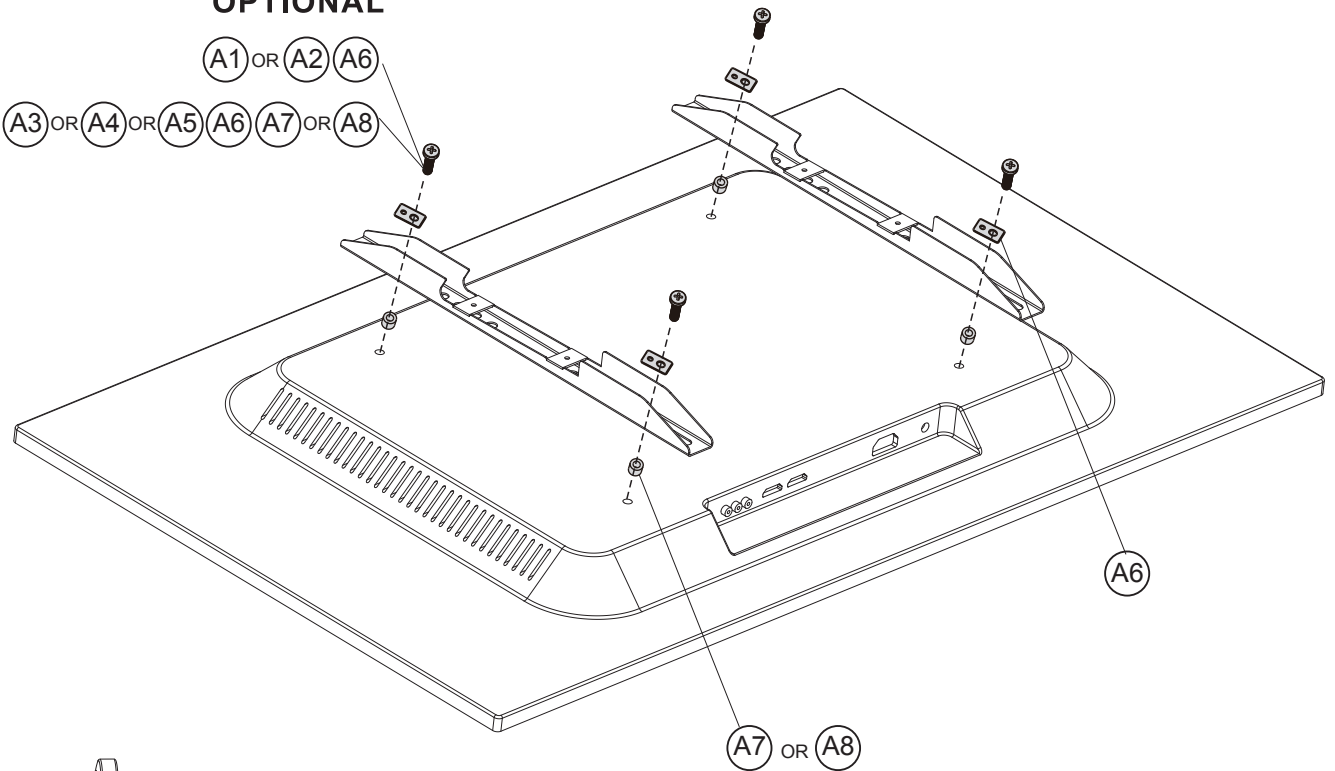



**OPTIONAL**

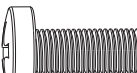


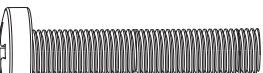



**OPTIONAL**

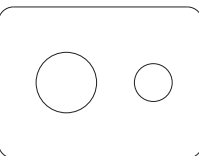



(A1)  x4  
M5x14mm

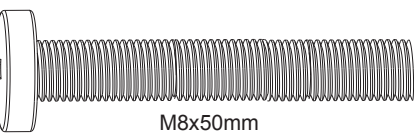
(A2)  x4  
M6x14mm

(A3)  x4  
M6x30mm

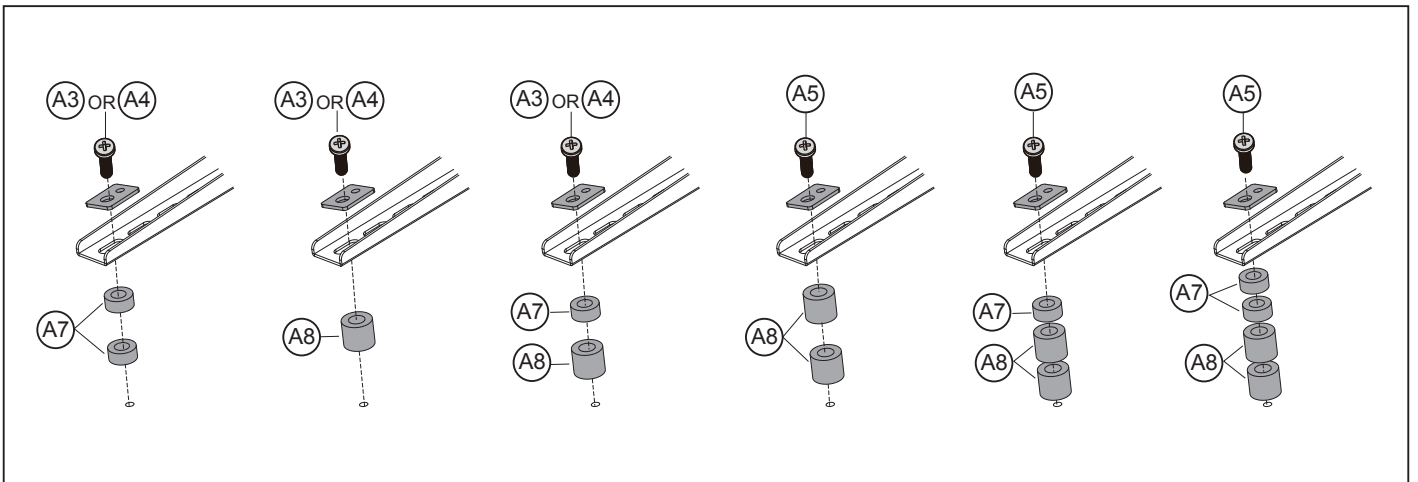
(A4)  x4  
M8x30mm

(A6)  x4

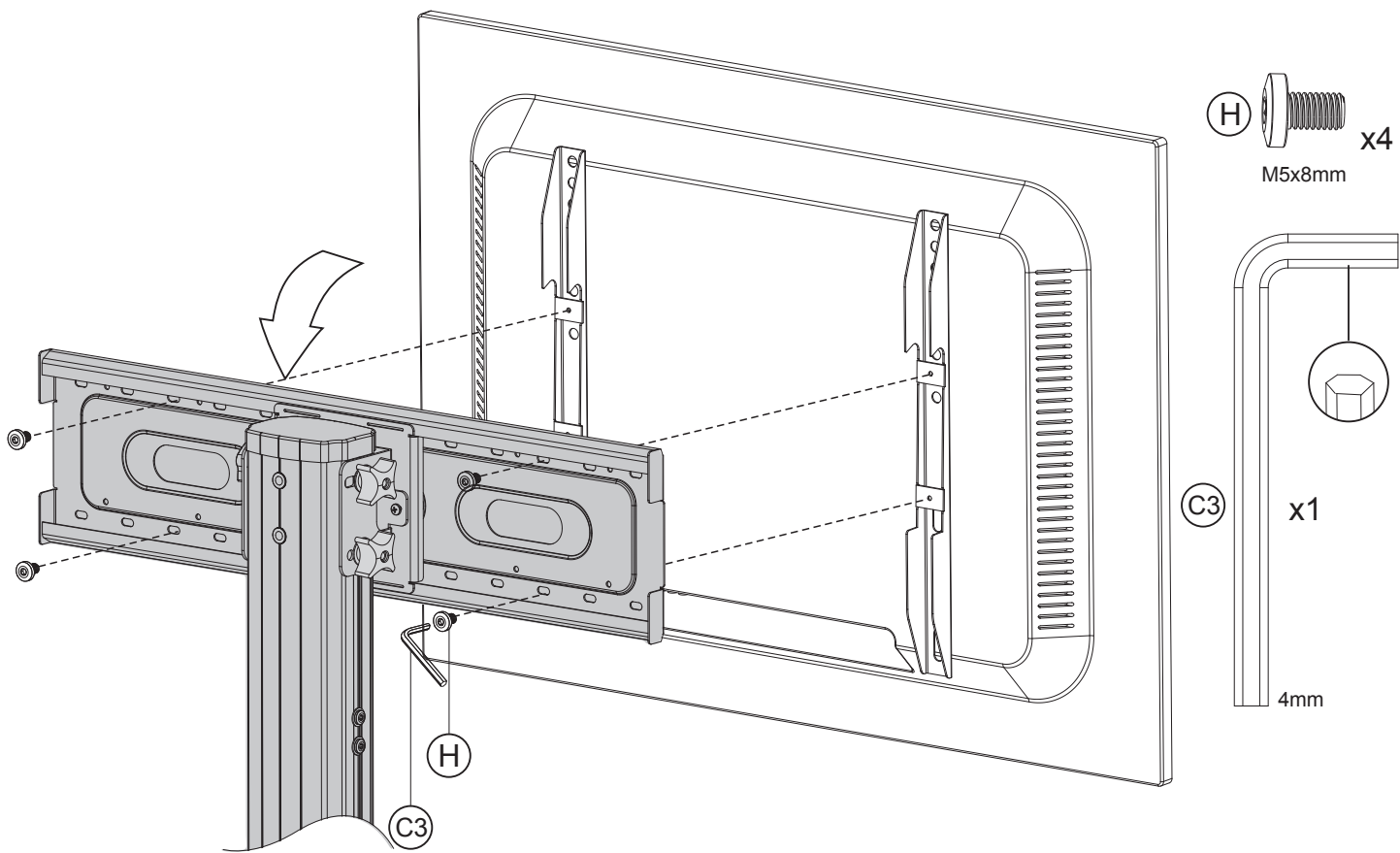
(A7)  x4

(A5)  x4  
M8x50mm

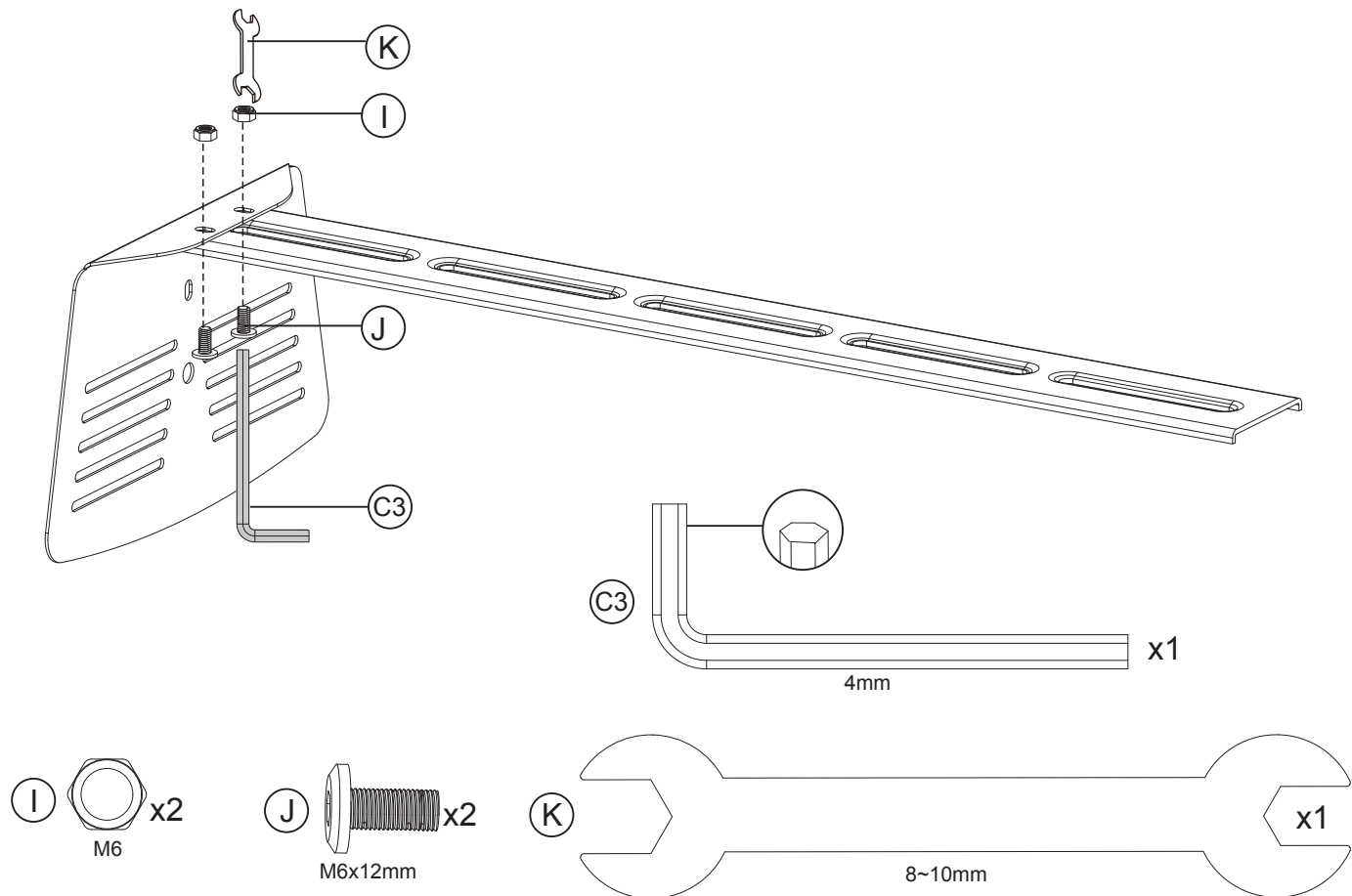
(A8)  x4



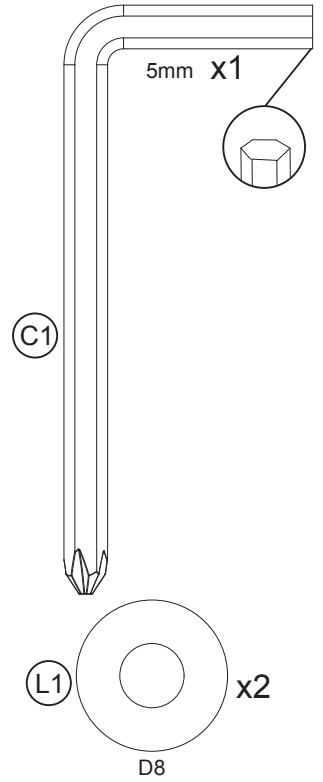
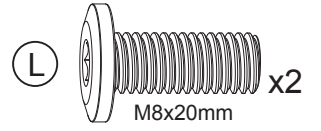
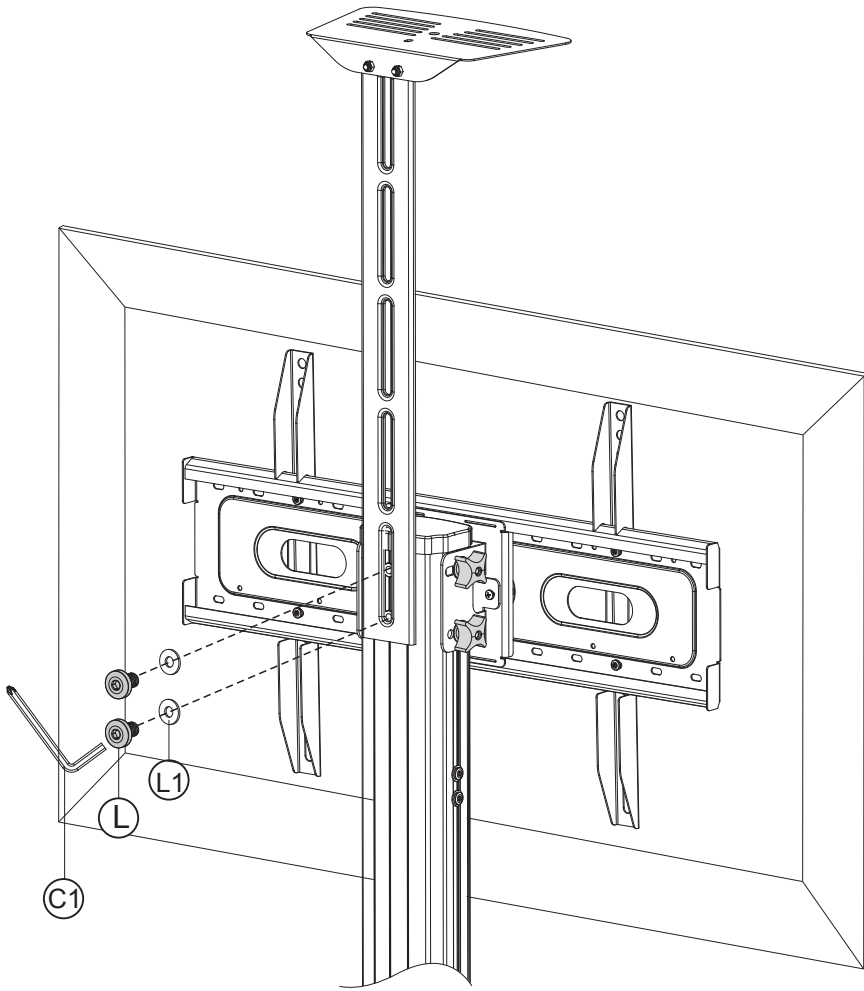
10



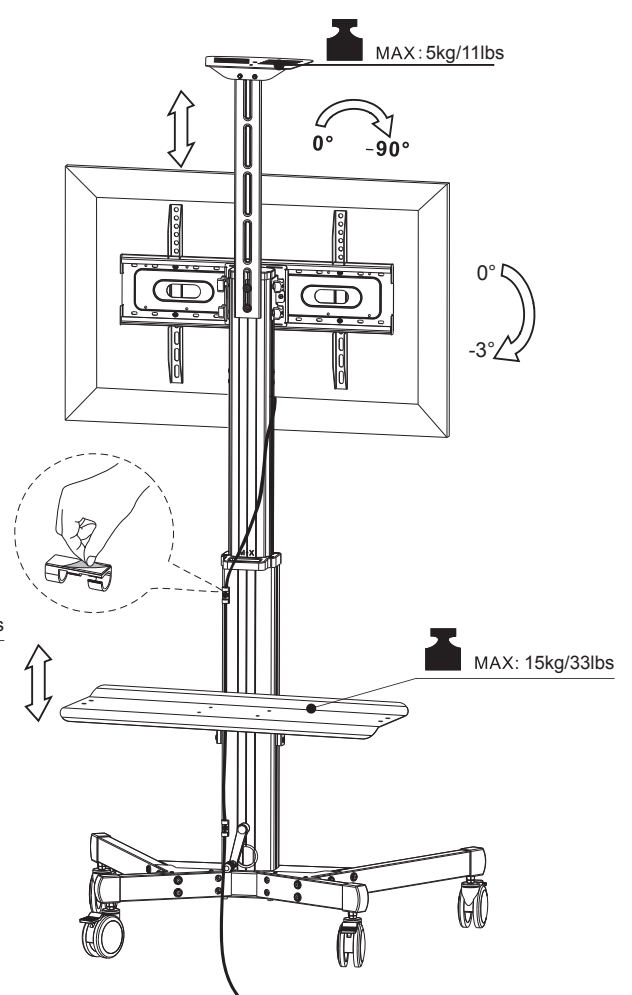
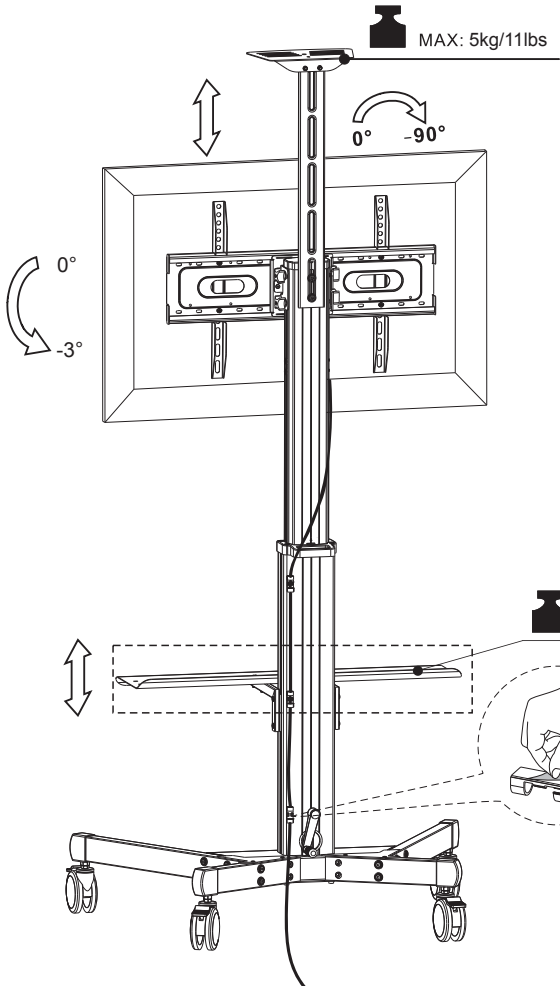
11



12

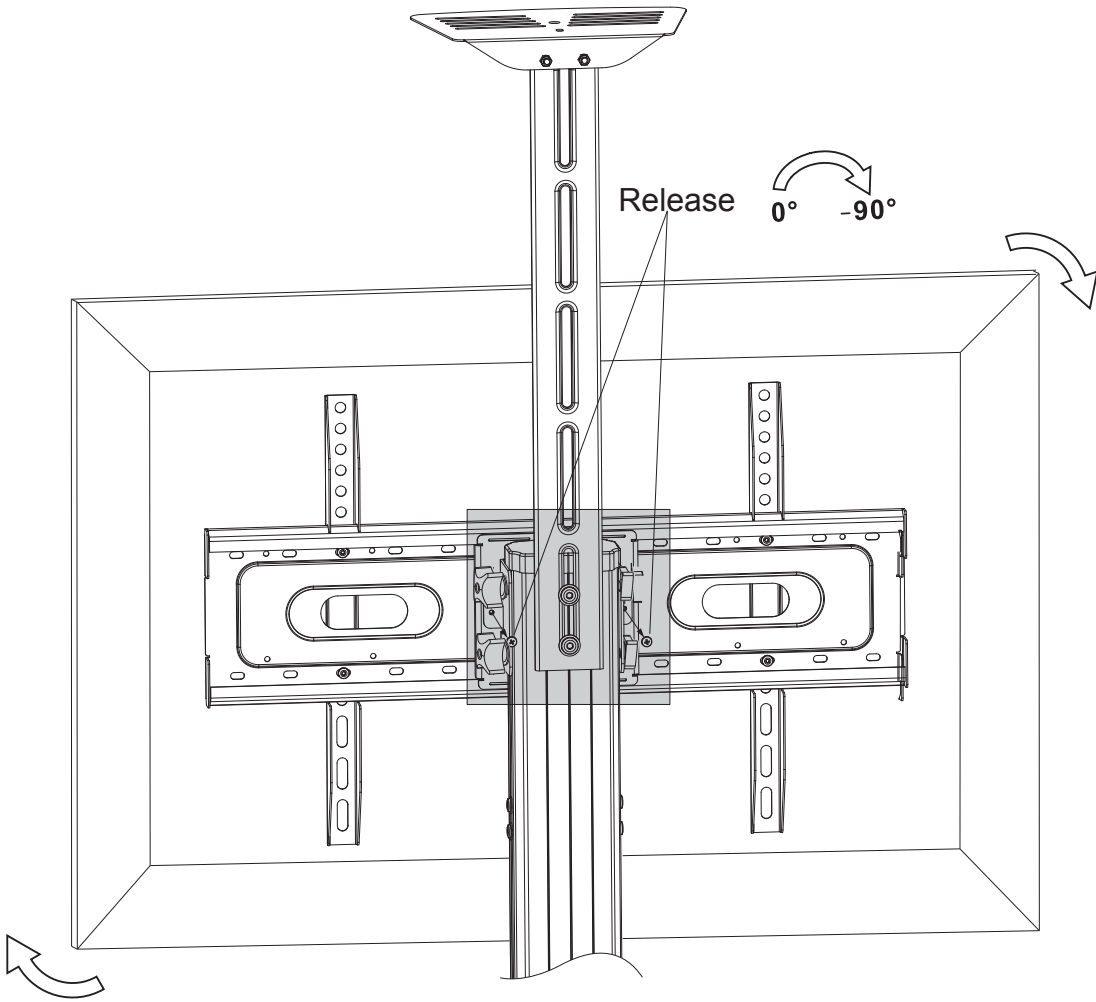


13





14



15

