

Black Desk Post with laptop shelf

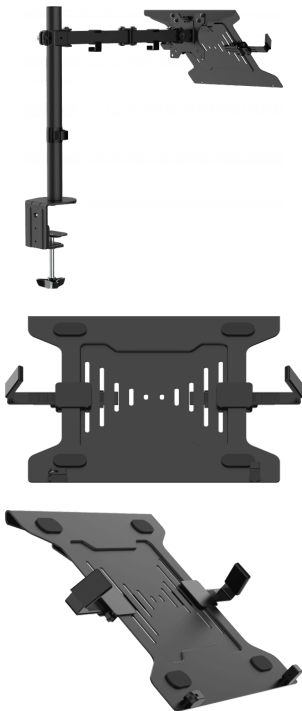
VFM-DP2B+S EU SAP: 4871927 US SAP: 70017259

vav.link/vfm-dp2bpluss

Double-articulated desk mount with laptop tray
Adjustable side clamps to secure laptops
For laptops from 240-420 mm (9.4-16.5") wide
Shelf size: 300 mm (12") wide x 280 mm (11") deep
Parts included for grommet or clamping to desk
Post Height: 443 mm (17.4") tall

In use cases where users have shallow desks dual-arm mounts occupy too much depth. Those users are better served by two single-arm mounts – one to support the display, and another for the laptop. Two independent arms also allow more placement flexibility. This product combines the standard desk post with a shelf (which comes in separate carton).

Vision have obsessed over the detail to make it as quick and easy to install.



Thumbscrews

Includes thumbscrews so you can be done faster, with fewer tools.

Quick Release

The laptop tray fixes to the desk post's VESA plate – where the display would normally fix – which is quick-release.

SWL 4.5 kg

This mount can support laptops up to 4.5 kg (9.9lbs).

Vents

Slots in the shelf keep the device cool, maximising airflow.

Foam Dots

High-density foam dots help to isolate vibration and keep the device in place. They also hold tablets off the tray to help airflow.

Double-Pivot

Two articulated points in the horizontal arm allow a huge range of positioning. The arm reach is up to 460 mm (18").

Cable Management

Clips on the arm secure cables which can be routed along the mount.

Variable Height

Slide the arm up and down the post, then lock off at required height with the quick release cam lever. The post is 443 mm (17.3") tall.

Desk Thickness

The clamp fixes to a table from 10-88 mm (0.4-3.5") thick.

Grommet Included

In some applications you might prefer to drill a hole in the table and fix the mount directly.

Swivel and Tilt

The ultra-flexible design allow -45-45° of tilt adjustment, and -90-90° of swivel range.

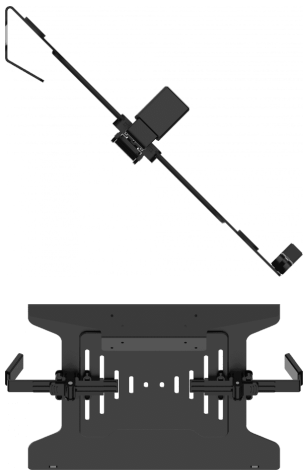
Rotate

Easily move the shelf from landscape to portrait style.

Scratch-Resistant

The powder-coated surface is thicker and more scratch resistant than paint.

VISION



VISION

MANUAL

Quick manual

EN PDF 1.91 MB

files.visionaudiovisual.com/products/VFM-DP2BPLUS/manuals/VFM-DP2SHELF_quick_manual.pdf

Quick manual

EN PDF 2.28 MB

files.visionaudiovisual.com/products/VFM-DP2BPLUS/manuals/VFM-DP2_quick_manual.pdf

Manual

EN PDF 4.99 MB

files.visionaudiovisual.com/products/VFM-DP2BPLUS/manuals/VFM-DP2SHELF_manual.pdf

IMAGE

Product Images

ZIP 4.86 MB

<files.visionaudiovisual.com/products/VFM-DP2BPLUS/images/VFM-DP2BPLUS.zip>

Product Images

PNG 1.01 MB

<files.visionaudiovisual.com/products/VFM-DP2BPLUS/images/VFM-DP2BS.png>

Rear

PNG 802.12 KB

files.visionaudiovisual.com/products/VFM-DP2BPLUS/images/VFM-DP2BS_rear.png

Front

PNG 670.97 KB

files.visionaudiovisual.com/products/VFM-DP2BPLUS/images/VFM-DP2SHELFB_front.png

Product Images

PNG 1.24 MB

<files.visionaudiovisual.com/products/VFM-DP2BPLUS/images/VFM-DP2SHELFB.png>

Side

PNG 372.79 KB

files.visionaudiovisual.com/products/VFM-DP2BPLUS/images/VFM-DP2SHELFB_side.png

Rear

PNG 833.81 KB

files.visionaudiovisual.com/products/VFM-DP2BPLUS/images/VFM-DP2SHELFB_rear.png

Dims

PNG 16.49 KB

files.visionaudiovisual.com/products/VFM-DP2BPLUS/images/VFM-DP2SHELFB_dims.png

Menu

PNG 195.38 KB

files.visionaudiovisual.com/products/VFM-DP2BPLUS/images/VFM-DP2BS_menu.png

Dims

PNG 90.55 KB

files.visionaudiovisual.com/products/VFM-DP2BPLUS/images/VFM-DP2_dims.png

SPECIFICATIONS

VFM-DP2: PRODUCT DIMENSIONS

548 x 520 x 114 mm / 21.6 x 20.5 x 4.5"

VFM-DP2: PACKAGED DIMENSIONS

489 x 180 x 120 mm / 19.3" x 7.1" x 4.7" (length x width x height)

VFM-DP2: PRODUCT WEIGHT

2.9 kg / 6.4 lbs

VFM-DP2: PACKAGED WEIGHT

3.7 kg / 8.2 lbs

VFM-DP2SHELF: PRODUCT DIMENSIONS

300 x 280 mm / 12 x 11"

VFM-DP2SHELF: PACKAGED DIMENSIONS

320 x 288 x 50 mm / 12.5" x 11.3" x 1.9" (length x width x height)

VFM-DP2SHELF: PRODUCT WEIGHT

1.2kg / 2.6 lbs

VFM-DP2SHELF: PACKAGED WEIGHT

1.4 kg / 3 lbs

SAFE WORKING LOAD

4.5 kg (9.9 lbs)

LAPTOP/TABLET SIZE

From 240-420 mm (9.4-16.5") wide

CONSTRUCTION MATERIAL

Powdercoated Steel

COLOUR

Black

ACCESSORIES INCLUDED

4 x M4 12 mm (1/2") screw 4 x M5 12 mm (1/2") screw 4 x M6 12 mm (1/2") screw

WARRANTY

Lifetime return-to-base

COMPLIANCES

REACH

ORDER PART CODE: DESK POST WITH SHELF

VFM-DP2B+S [EU SAP: 4871927 / US SAP: tba]

ORDER PART CODE: SHELF BY ITSELF

VFM-DP2SHELF [EU SAP: 4850694 / US SAP: 13445510]