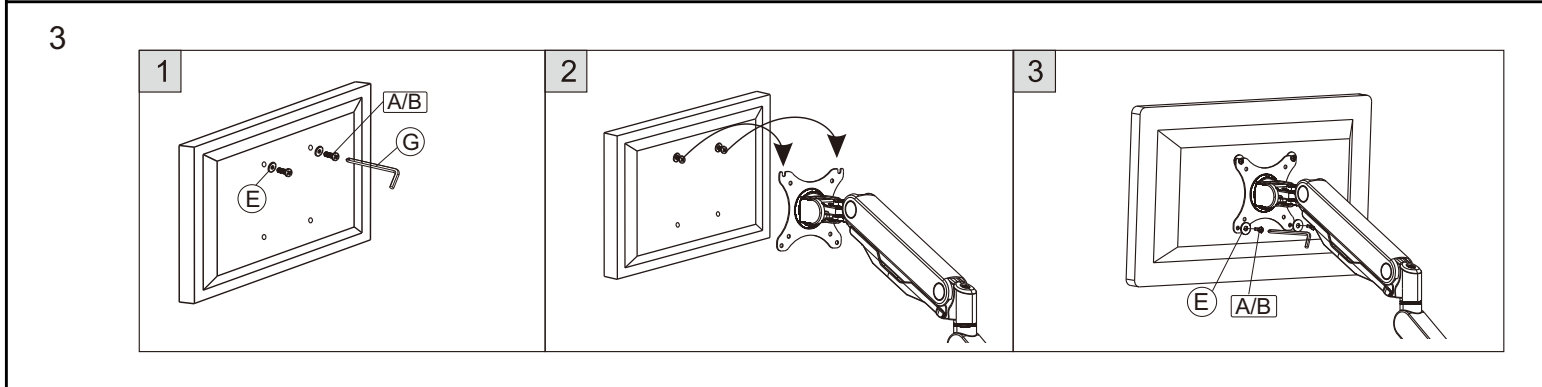
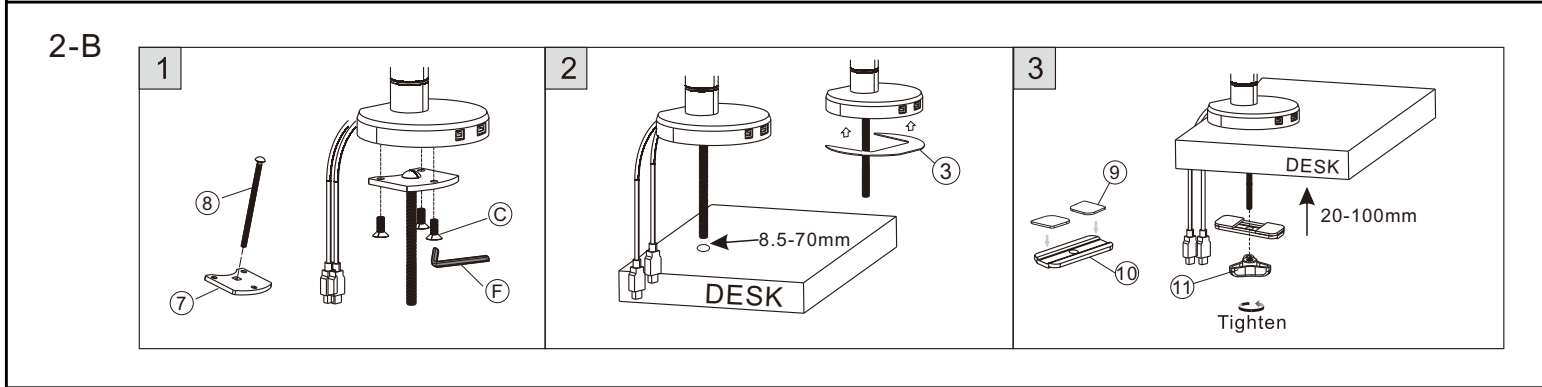
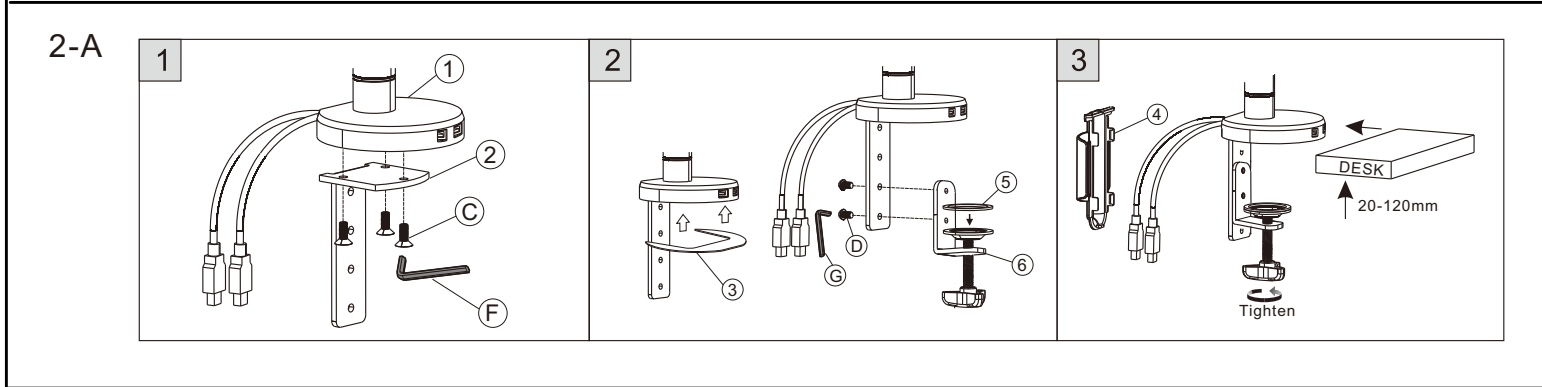
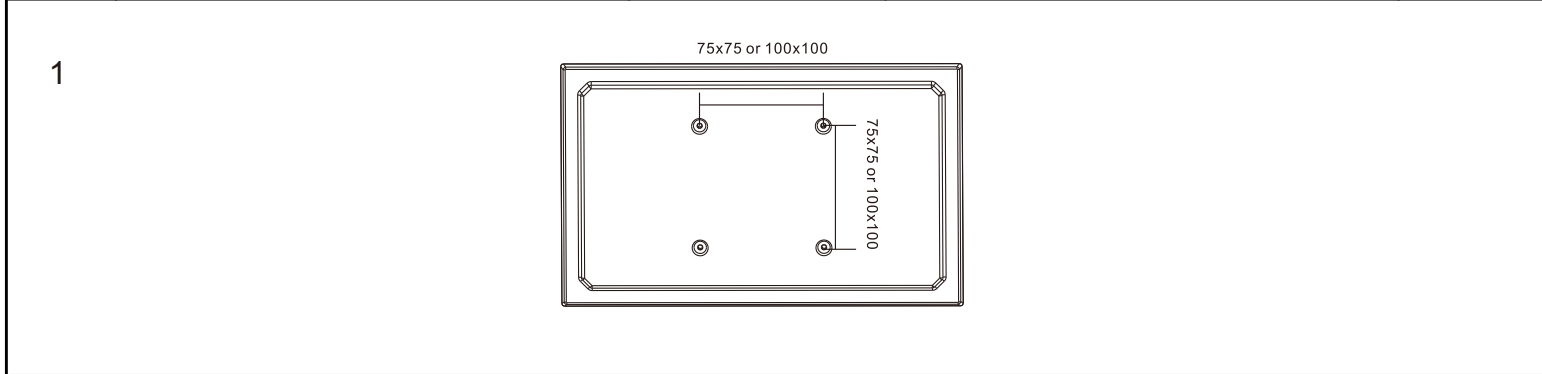


# VISION



## VFM-DA2

(A)	M4X12MM		x4	(B)	M5X12MM		x4
(C)	M6X12MM		x3	(D)	M6X10MM		x2
(E)	φ6.5xφ13x1.8		x8	(F)	4X4MM		x1
(G)	5X5MM		x1				



4

