

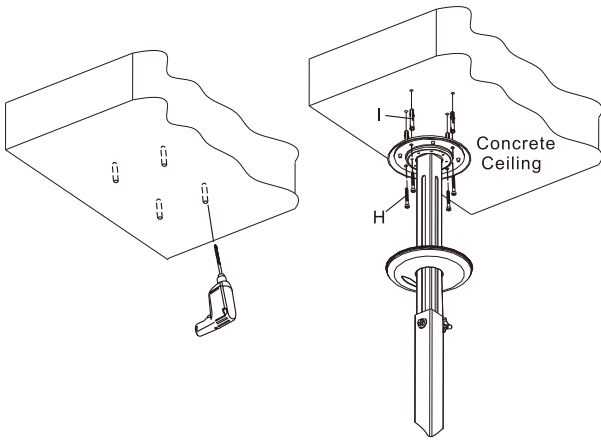
# VISION



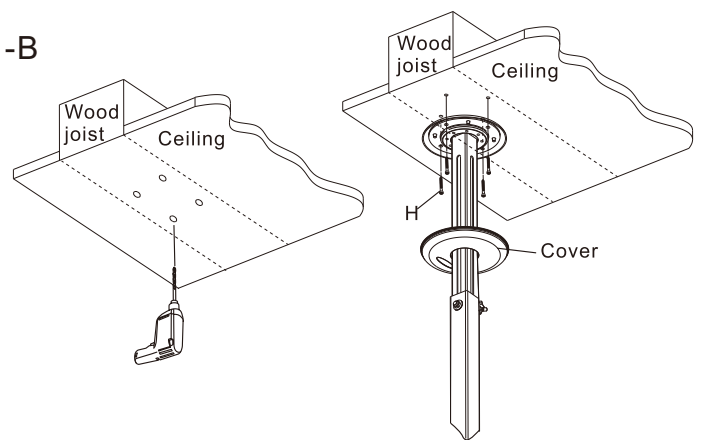
## VFM-C2X2

|     |         |    |     |     |         |     |    |    |
|-----|---------|----|-----|-----|---------|-----|----|----|
| (A) | M4X12MM |    | x4  | (B) | M4X16MM |     | x4 |    |
| (C) | M5X16MM |    | x4  | (D) | M6X16MM |     | x4 |    |
| (E) | M5X36MM |    | x4  | (F) | M6X36MM |     | x4 |    |
| (G) |         | x4 | (H) |     | x4      | (I) |    | x4 |

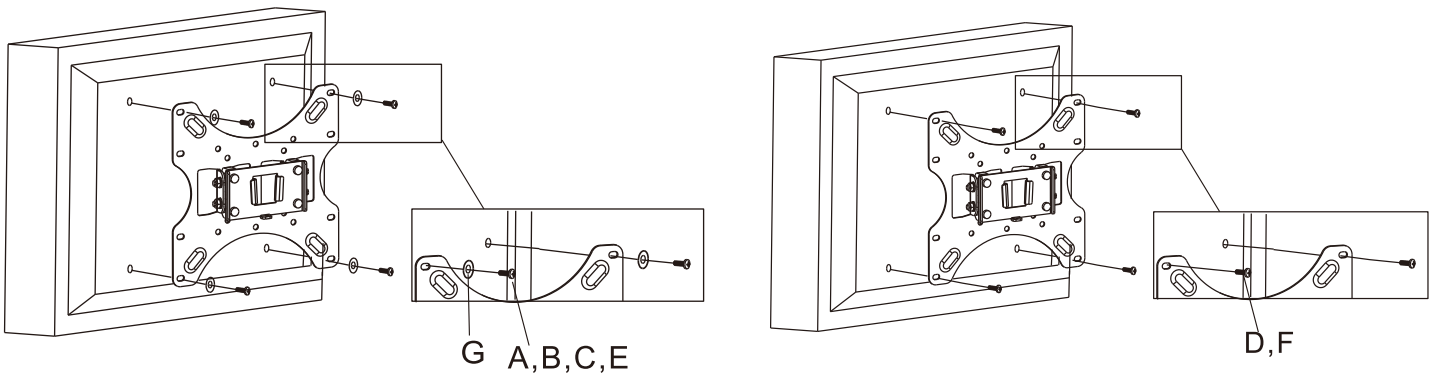
1-A



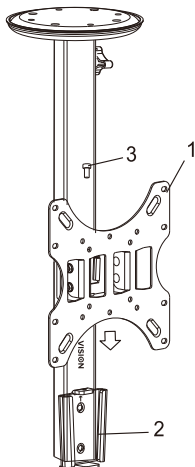
1-B



2



3



4

