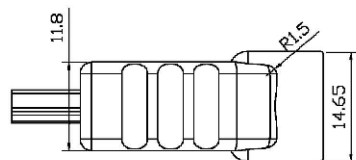
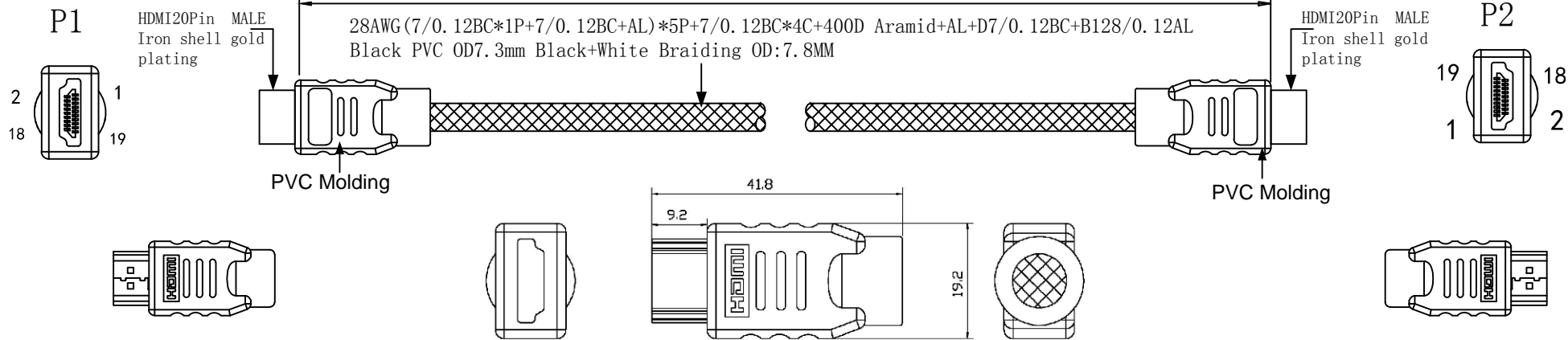
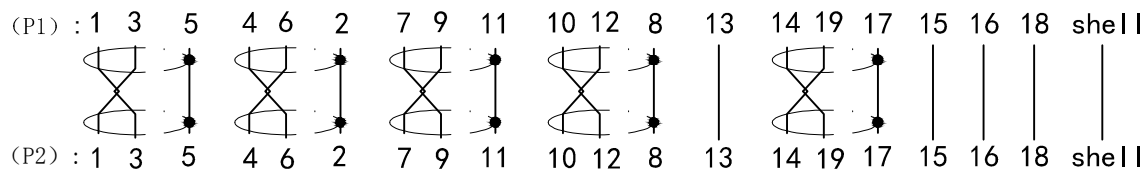


L=500MM/1000MM 19.65"/39.3"  
 L=1500MM/2000MM 58.95"/78.6"

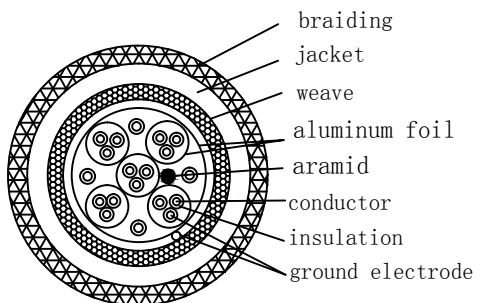


PIN Assignment:



Remark:

1. 100% on-off test
2. On resistance: 5 Ohms MAX
3. Insulation resistance: 5M Ohms MIN
4. Withstand voltage test: 300V DC/10ms
5. The product conforms to RoHS standard.
6. Pass the test of 4K@60HZ
7. Exposed size of terminal  $9.3 \pm 0.3$ mm



Length tolerance	Autograph	Date		
$L \leq 1.5m$ $\pm 20mm$ $1.5m < L \leq 5m$ $\pm 30mm$	Drafting: CJJ	2019.01.19		
	Check:		Drawing number	HDMI.4AA.1211
	Approval:		Customer number	
	Revision reason		Edition	A0