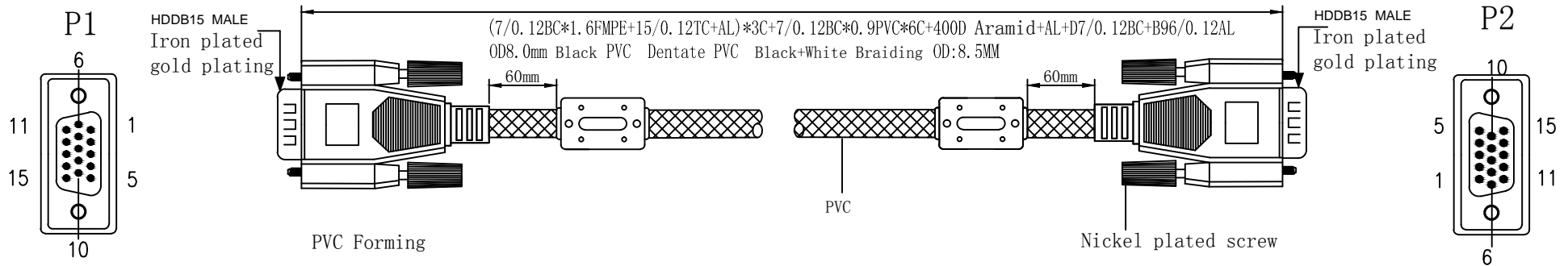


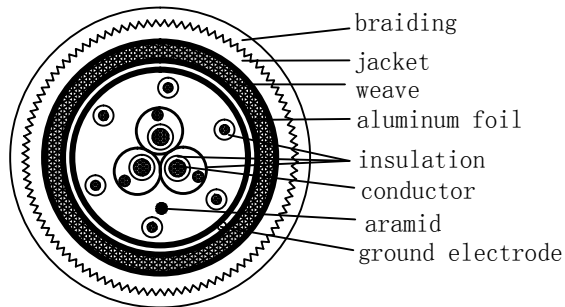
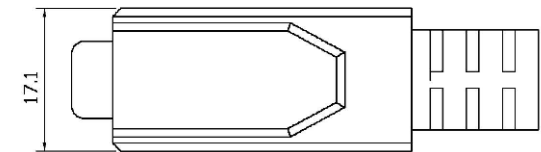
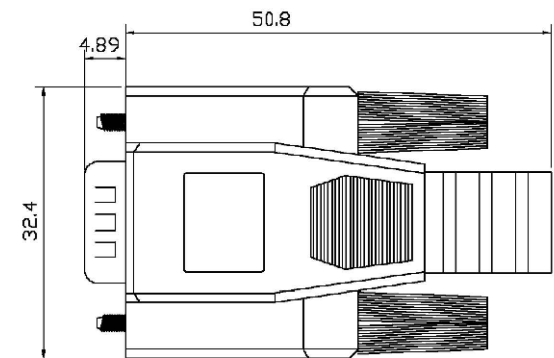
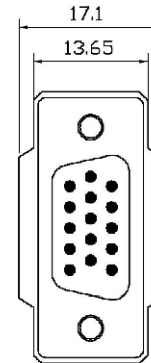
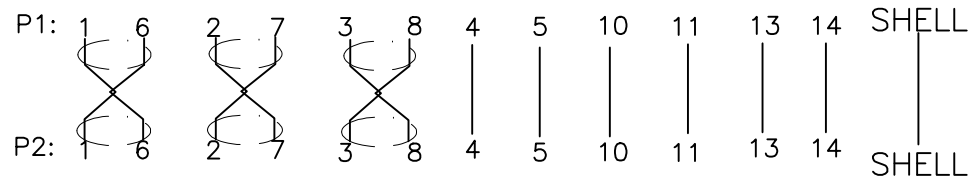
L=1000 39.3"  
 L=2000/3000/5000 78.6"/117.9"/196.5"  
 L=10000 393"  
 L=15000 589.5"



Remark:

1. 100% on-off test
2. On-resistance: 5 Ohms MAX
3. Insulation Resistance: 2M Ohms MIN
4. Voltage test: 300V DC/10ms
5. The product meets the RoHS standard.

PIN Assignment:



Length tolerance	Autograph	Date		
L ≤ 1.5m ± 20mm	Drafting: CJJ	2019.01.19		
	Check:			
	Approval:		Drawing number	VGA.MM.031
		Revision reason	Customer number	
			Edition	A0