

L=10000 393"  
L=15000 589.5"

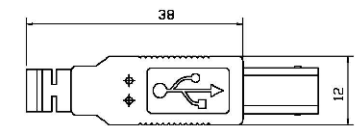
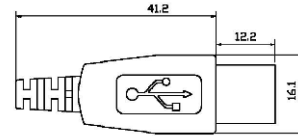
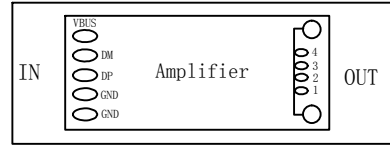
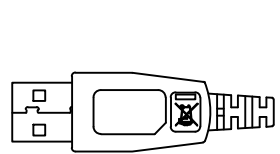
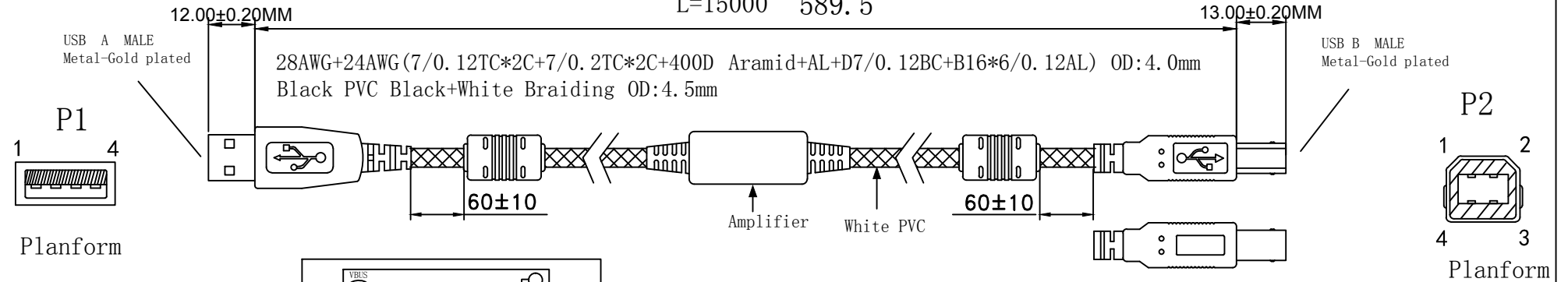


Plate one lead distribution

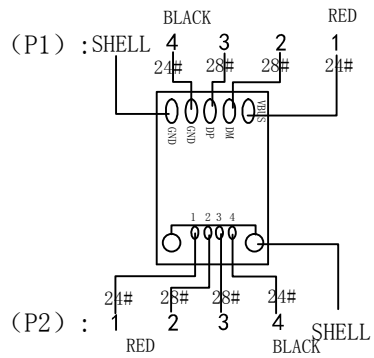
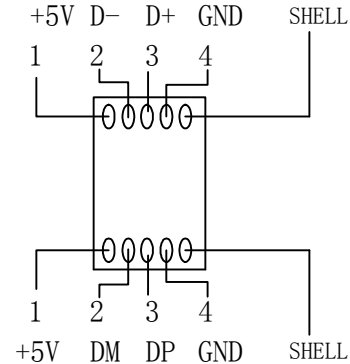
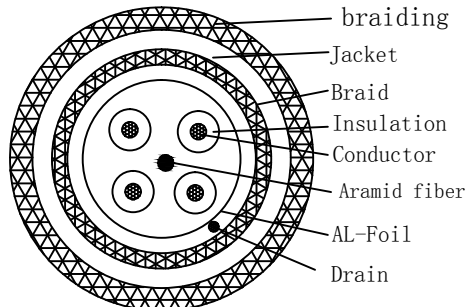


Plate two lead distribution



Remark:

1. 100% on-off test
2. Data transmission
3. The exposed size of USB A male terminal is 12mm±0.2mm
4. The exposed size of USB B male terminal is 13mm±0.2mm
5. The product conforms to RoHS standard



Tolerance		Signature	Date		
5m<L≤10m L>10m	±50mm ±60mm	Draft: CCJ	2019.01.19	Drawing No. :	USB. 2AB. 024
		Check:			
		Approve:		Revision	Customer No. :
				Version	A0