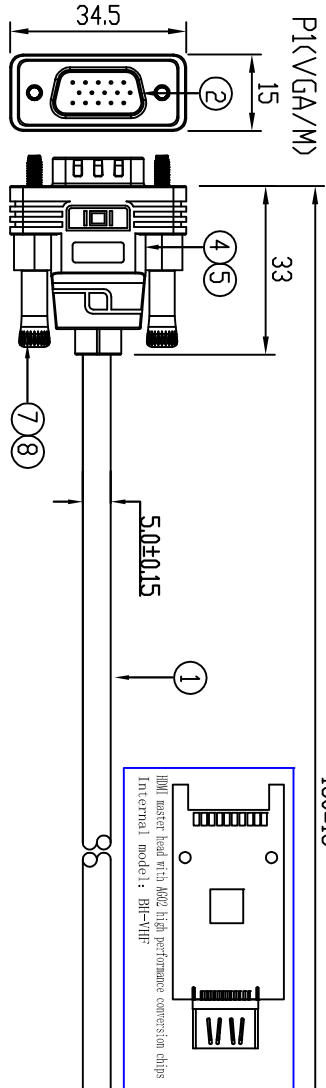


# ROHS

VGA/M TO HDMI/F With Audio+Power Black L=150mm  
CUS No.: TC-VGAHDMI/BL

REV	DESCRIPTION/REASON
01	RELEASE FOR PRODUCTION

MADE BY	APP'D BY	DATE
JIANGJIANG		

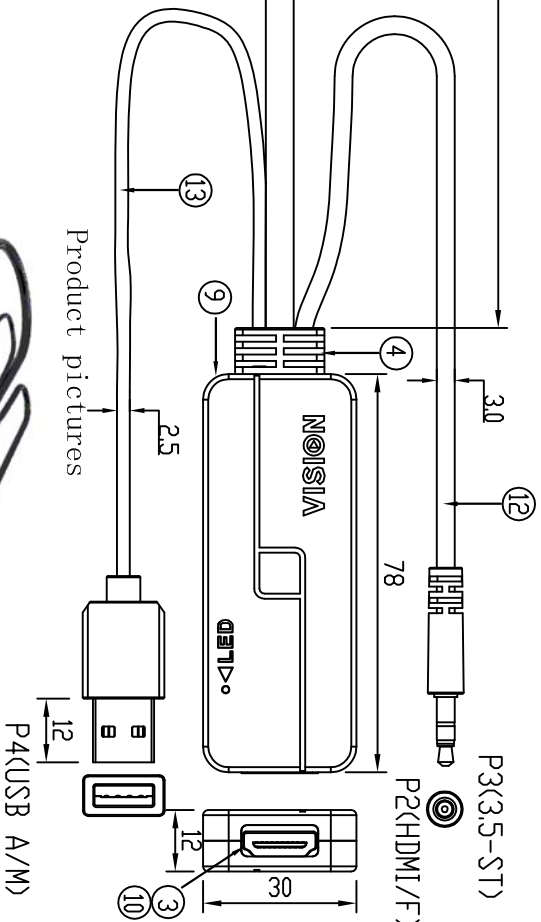


Test conditions:

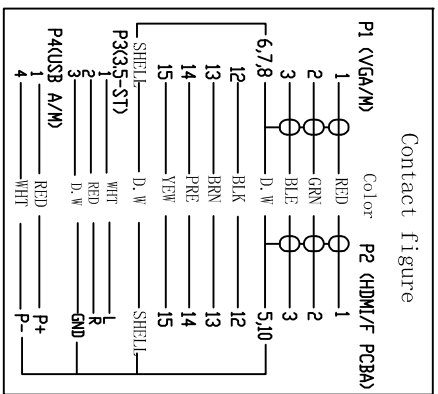
- 100% open circuit, short circuit and exchange test.
- Conduction impedance: maximum 2 ohms.
- Insulation impedance: minimum 10 megohm /DC300V/insulwire part).
- 100% on-board test (the resolution of laptop against 42-inch TV can reach 1920x 1080@60hz)
- All displays with VGA interface must be tested through the computer host.
- Test DELL display with g900 VGA output display cord.

Notes:

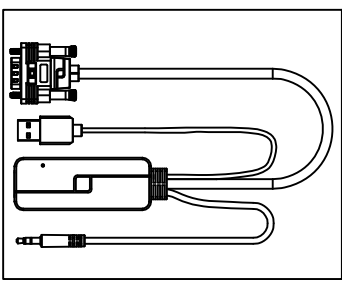
- Before installing the dust cover on both ends of the plug, please pay attention to wipe with anti-static oil and push and press the plug for inspection.
- Pay attention to the use of special materials for the outer molds at both ends. No scratches or marks are allowed.
- Feed point processing part and die line must be jointed well, there must be no anti-white phenomenon.
- As the shell has the customer's LOGO on it, please pay attention to the inspection during full inspection.
- The P2 end is a pressure ultrasonic shell. Please make sure that the ultrasonic joint is intact.



Contact figure



Packing requirements:



Carton+carton plus Label packaging

Item Name	PART No.	Description	QTY	UNIT	Remark
13	WIRE PC-M00003	USB A/M power supply cable black semi-finished L=50CM DP:2.5mm	1	SET	
12	WIRE PC-M00027	ø 3.5 stereo audio line half cut L = 50 cm DP: 3.0 mm	1	SET	
11	BAG ---	Carton + color card + Label	1	SET	
10	SR 411-0234A	HDMI FEMALE	1	SET	
9	SHELL 411-0295A	Black shell (RCA style)	1	PCS	
8	PVC SI-008	PVC plug 30P BLACK	6	G	
7	SCR 66-006B	Material screw 2.3x32mm	2	PCS	
6	PCBA BH-VH	PCBA: CHIP:AG02	1	SET	
5	PE SI-010	Transparent low density PE material forming inner mold special material	6	G	
4	PVC SI-001	PVC plug 45P BLACK	18	G	
3	CDNN 373-01F1123-SI	HDMI FEMALE	1	PCS	
2	CDNN 371-05M710-21	VGA PLUG	1	PCS	
1	WIRE 334-S05111301	VGA CABLE 28*30*#30*TC 00:5.0mm BLACK	190	MM	PC-VGA051

CUSTOMER		C0040	PART NO.		AD-	REV.	A	DATE	Apr/06/2019	UNIT:	mm
PART NAME		VGA/M TO HDMI/F+Au+Power Black (DD:5.0mm L=150mm)				DRAWN				UNSPECIFIED TOLERANCE	X.XX=±0.10
FILE NAME		DWG	MATERIAL		BH-	CHECKED					L.X.X=±0.5
HUANG		SCALE	1:1	FINISH		APPROVED				PROJECTION	