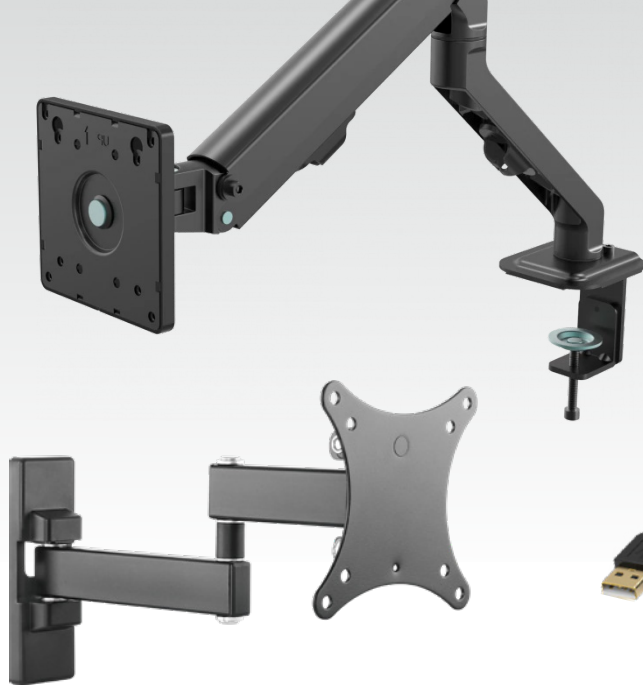
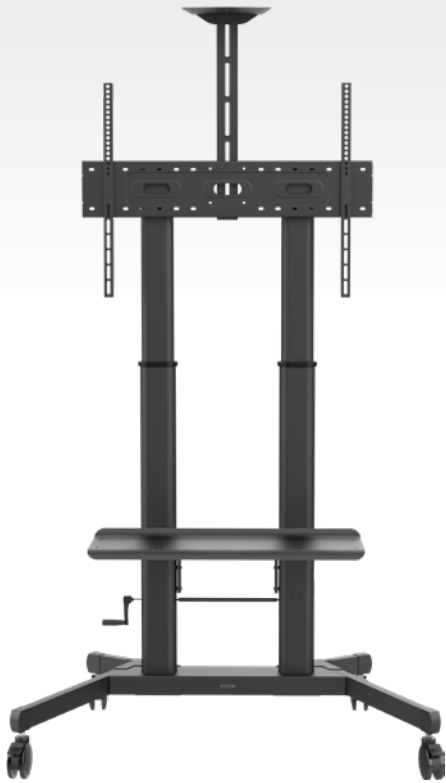


# VISION

PRODUCT CATALOGUE  
2026





## Who we are.

Vision designs and manufactures professional AV installation products that are designed for the integrator, simple to install, and so reliable they come with a lifetime guarantee. Founded by engineer and product designer Stuart Lockhart, Vision was created to remove friction on site with smart, rugged accessories that save time and solve real-world challenges.

Distributed exclusively through TD SYNEX Maverick, Vision has been trusted by professionals for over 20 years around 26 regions for delivering performance, value, and peace of mind.

# Our portfolio.



Audio



Cables



Digital Signage



Faceplates



Floor Stands



Large Display Mounts



Projector Mounts



Monitor mounts

Mounts, Connectivity and Audio products for professional AV installers.



Vision offers a wide portfolio including display mounts, floor stands, connectivity, AV control and faceplates, media players, signage and audio. Whether installers

require a tool-free mount for a rapid rollout or a sleek media player for a signage installation, Vision provides a complete, integrated solution.

# Why Vision.



## Engineered for speed

Designed by engineers to be faster and easier to install.



## Built to last

Premium materials and thoughtful design backed by a lifetime warranty.



## Smartly priced

Highly profitable for our partners without compromising performance.



## Globally supported

Distributed worldwide exclusively through TD SYNEX, with stock availability and technical support you can trust.



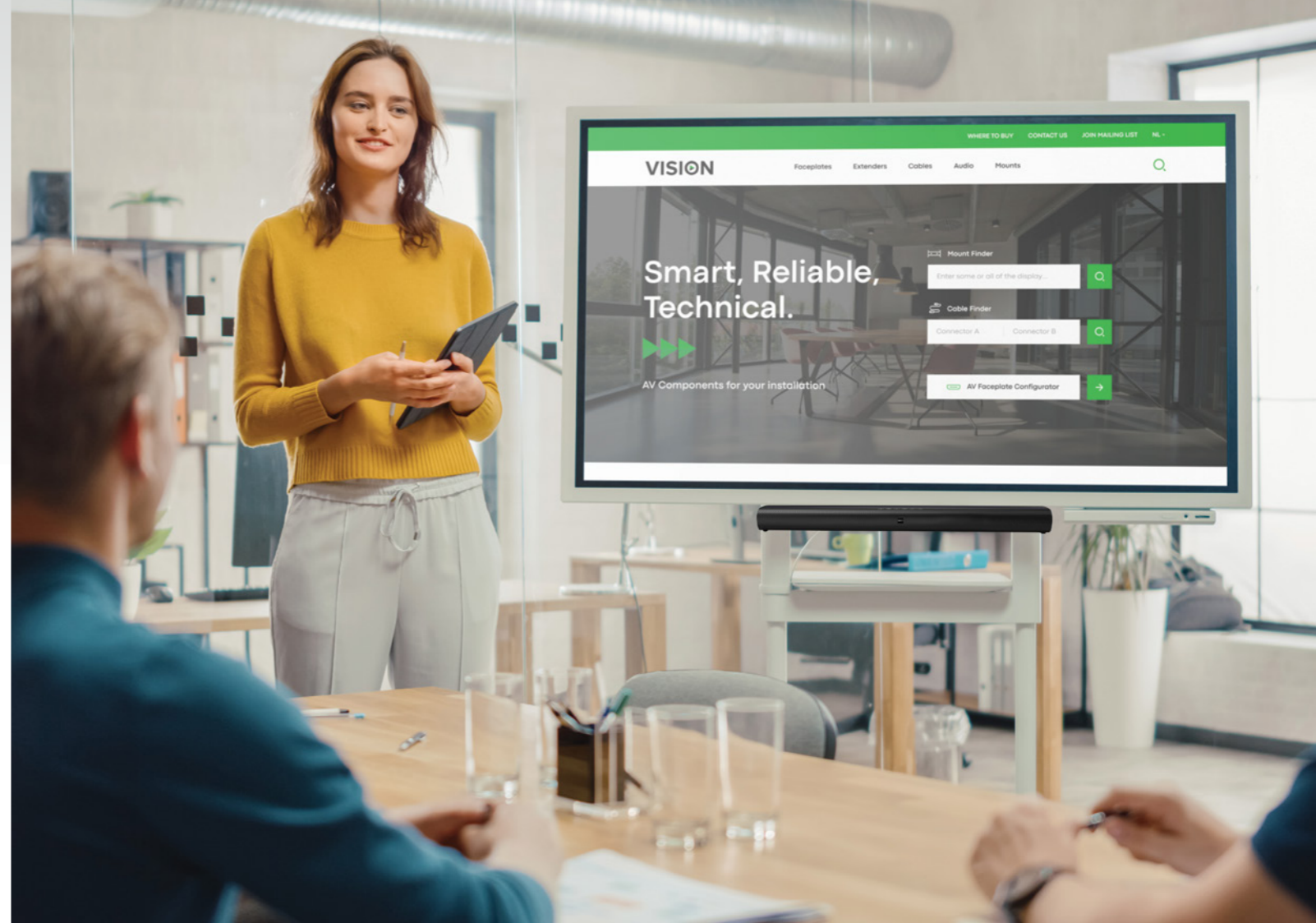
## Built for real-world installs

From floorstands to cables, Vision products are tailored to suit the realities of modern AV deployments.



## Product range

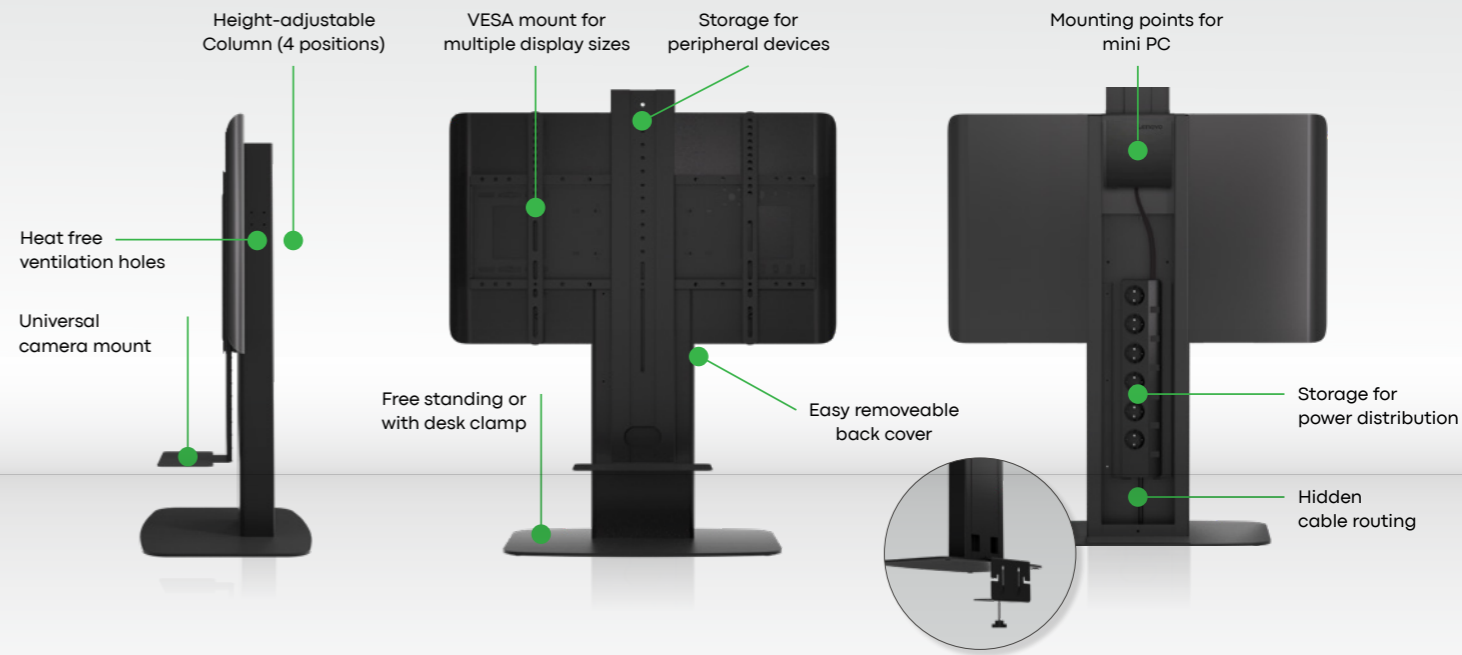
Vision offers a broad range of AV accessories, from mounts and stands to audio, control, and cabling solutions.





# Express mount.

VFM-DSXP  
SKU: 11521261



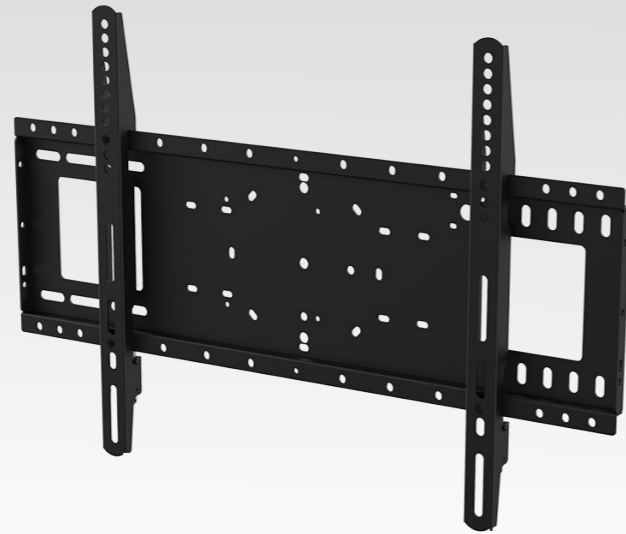
The Vision Express Desk Mount is a purpose-built, all-in-one tabletop solution designed for rapid video conferencing deployment for small meeting rooms. Certified by Logitech, it supports displays from 37" to

65", integrates cable management, height-adjustable video bar shelf and mini PC stowage, and enables seamless Microsoft Teams Room installations in huddle and small spaces. Table clamp included.

# Wall mounts.

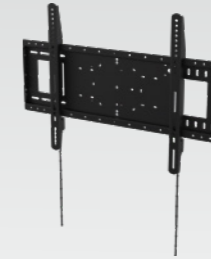
## NON-TILTING

Engineered for reliability and rapid installation, Vision wall mounts support a variety of screen sizes with smart designs that save time and enhance flexibility.



Premium Flat-Panel Wall Mount  
32" - 65"

VFM-W4X4 (Max load: 60 kg)  
SKU: 4934292



Premium Flat-Panel Wall Mount  
37" - 85"

VFM-W6X4 (Max load: 100 kg)  
SKU: 4996384



Premium Flat-Panel Wall Mount  
47" - 90"

VFM-W8X6 (Max load: 130 kg)  
SKU: 4934295



Basic Wall Mount 32" - 65"

VFM-W4X4V/2 (Max load: 60 kg)  
SKU: 6333305



Basic Wall Mount VESA 37" - 70"

VFM-W6X4V/2 (Max load: 60 kg)  
SKU: 6333312



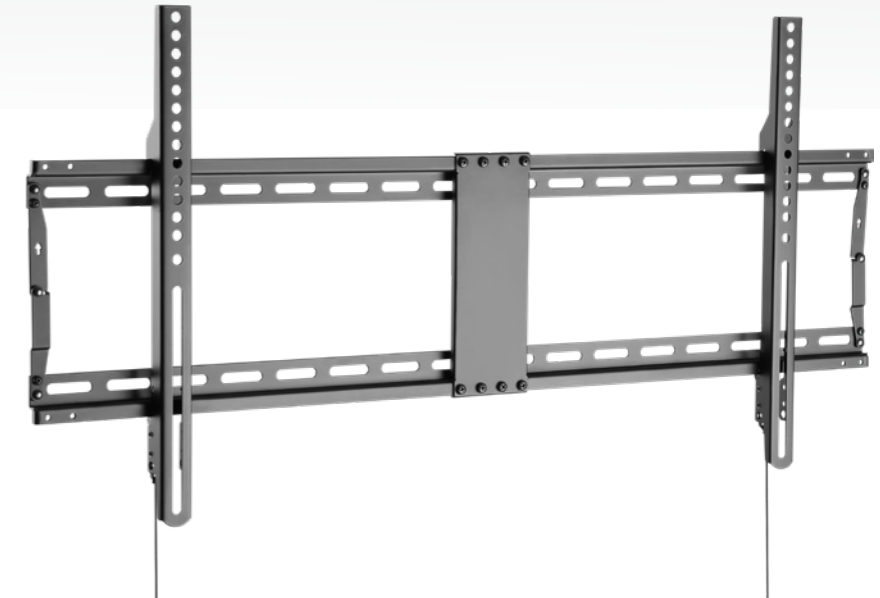
Basic Wall Mount VESA 47" - 75"

VFM-W8X4V/2 (Max load: 60 kg)  
SKU: 6333313



Flat-Panel Wall Mount 30" - 55"

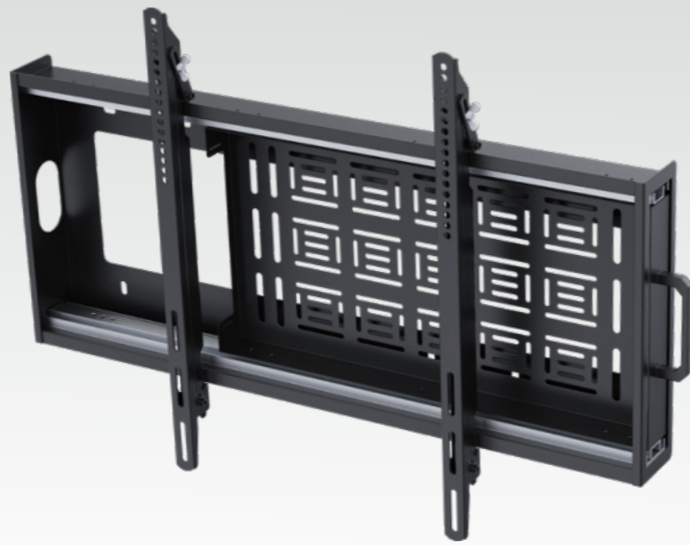
VFM-W2X2V2 (Max load: 25 kg)  
SKU: 4754702



# Wall mounts.

## TILTING

Engineered for reliability and rapid installation, Vision wall mounts support a variety of screen sizes with smart designs that save time and enhance flexibility.



Premium Tilting Flat-Panel Wall Mount 32" - 65"

VFM-W4X4T (Max load: 60 kg)  
SKU: 4934293



Premium Tilting Flat-Panel Wall Mount 37" - 85"

VFM-W6X4T (Max load: 100 kg)  
SKU: 4996386



Premium Tilting Flat-Panel Wall Mount 47" - 90"

VFM-W8X6T (Max load: 130 kg)  
SKU: 4934296



Flat-Panel Wall Mount 30" - 55"

VFM-W1X1TV2 (Max load: 25 kg)  
SKU: 4754703



Tilting Flat-Panel Wall Mount 30" - 55"

VFM-W2X2TV2 (Max load: 25 kg)  
SKU: 4754704



Tilting Wall Mount 32" - 65"

VFM-W4X4TV/2 (Max load: 60 kg)  
SKU: 6333311



Premium Flat-Panel Wall Mount 55" - 110"

VFM-W10X6 (Max load: 130 kg)  
SKU: 4934297



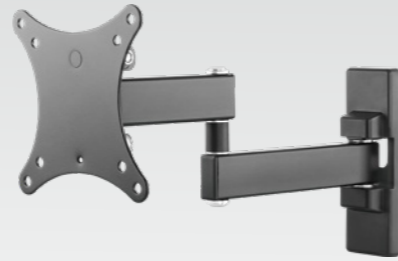
Slide-out Flat-Panel Wall Mount 47" - 90"

VFM-W8X6S (Max load: 90 kg)  
SKU: 11461815

# Wall mounts.

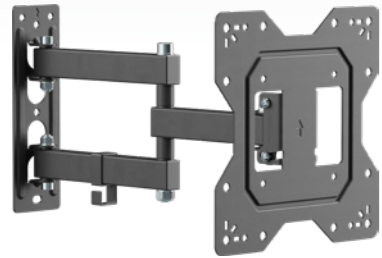
## FULL MOTION

Engineered for reliability and rapid installation, Vision wall mounts support a variety of screen sizes with smart designs that save time and enhance flexibility.



Wall Arm for Monitors 13" - 21"

VFM-WA1X1B (Max load: 15 kg)  
SKU: 4963686



Wall Arm for Flat-Panel 20" - 50"

VFM-WA2X2/3 (Max load: 25 kg)  
SKU: 6230135



Wall Arm for Flat-Panel 37" - 60"

VFM-WA4X4/3 (Max load: 20 kg)  
SKU: 6189504



Flat-Panel Wall Arm 42" - 70"

VFM-WA6X4/3 (Max load: 30 kg)  
SAP: 6622967

# Projector mounts.

Designed for stability and simplicity, Vision ceiling mounts deliver trusted performance for projector and display installs across varied environments.



Universal Projector Ceiling Mount

TM-1200  
SKU: 1562435



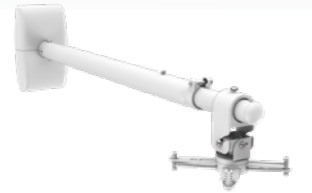
Telescopic Projector Ceiling Mount

TM-TELE  
SKU: 2418655



Close-Coupled Projector Ceiling Mount

TM-CC  
SKU: 1932372

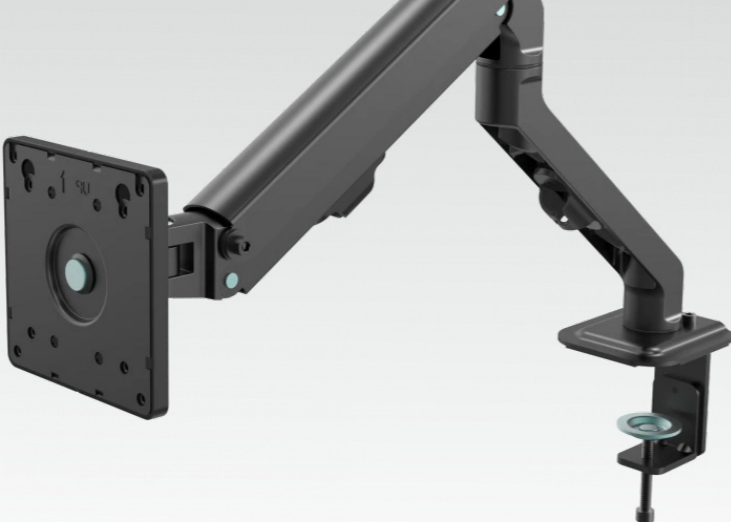


Short-Throw Projector Wall Mount

TM-ST2  
SKU: 2775928

# Desk mounts.

Vision ergonomic desk mounts are intuitive, adjustable, and robust, ideal for streamlined desktop display and device setups.



Single Desk Stand 24" - 37"  
VFM-DSB (Max load: 8kg)  
SKU: 4740100



Dual Desk Stand 24" - 37"  
VFM-DSDB (Max load: 8kg/arm)  
SKU: 4740212



Single Desk Arm 24" - 37"  
VFM-DA/4 (Max load: 8kg)  
SKU: 5811699



Dual Desk Arm 24" - 37"  
VFM-DAD/4 (Max load: 8kg/arm)  
SKU: 5812011



Express Install Desk Mount for MTR  
37" - 65"  
VFM-DSXP (Max load: 25 kg)  
SKU: 11521261



Single Desk Post 24" - 37"  
VFM-DP2B (Max load: 8kg)  
SKU: 4740217



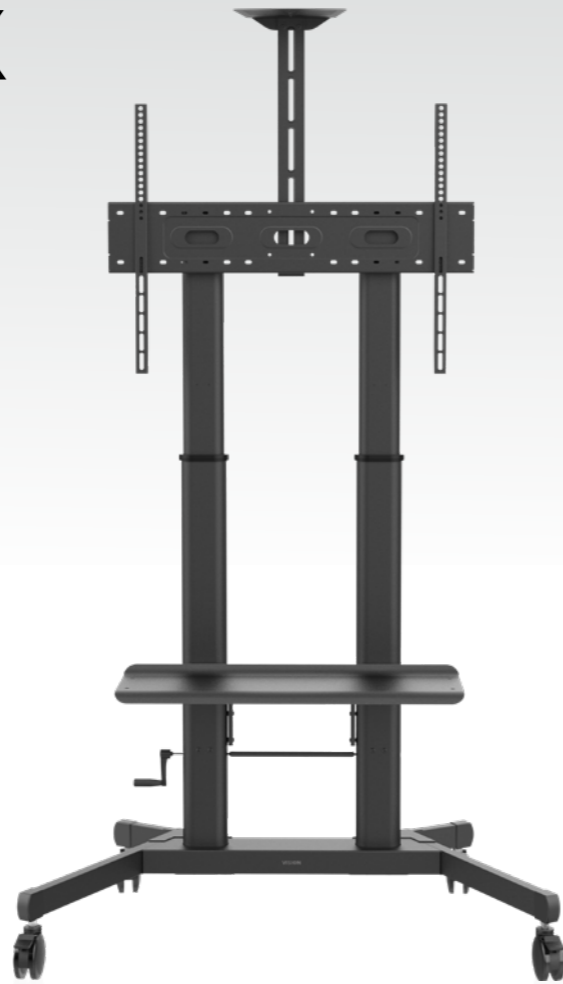
Dual Desk Post 24" - 37"  
VFM-DPD2B (Max load: 8kg/arm)  
SKU: 4740219



# VISION SERIES X

The Series X range is a versatile family of mounting stands designed to elevate your professional spaces with unbeatable functionality and sleek design.

- Budget friendly entry level model: Offers excellent quality and affordability
- Premium aluminium stand: Sleek and robust, perfect for high-end environments.
- Advanced Motorised Stand: Effortless height adjustment at the touch of a button



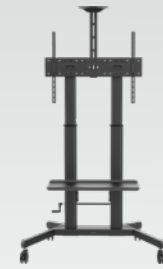
Series X - Portable floor stand  
31" - 80"

VFM-F21 (Max load: 50 kg)  
SKU: 10366309



Series X - Premium portable floor  
stand in alu 31" - 80"

VFM-F22 (Max load: 60 kg)  
SKU: 8628543



Series X - Portable floor stand  
55" - 100"

VFM-F26 (Max load: 80 kg)  
SKU: 10366310



Series X - Motorised Wall/Floor  
fixing Stand 55" - 100"

VFM-F26W (Max load: 80 kg)  
SKU: 11950545



Series X - Premium portable floor  
stand in alu 55" - 100"

VFM-F27 (Max load: 90 kg)  
SKU: 8628544



Series X - Motorised Floor Stand  
55" - 100"

VFM-F26M (Max load: 80 kg)  
SKU: 10365986



# VISION ESSENTIALS.

Vision's Essentials range delivers dependable, high-quality components at an accessible price point, the ideal choice for budget-sensitive projects that still demand performance, reliability and smart, professional-grade design.



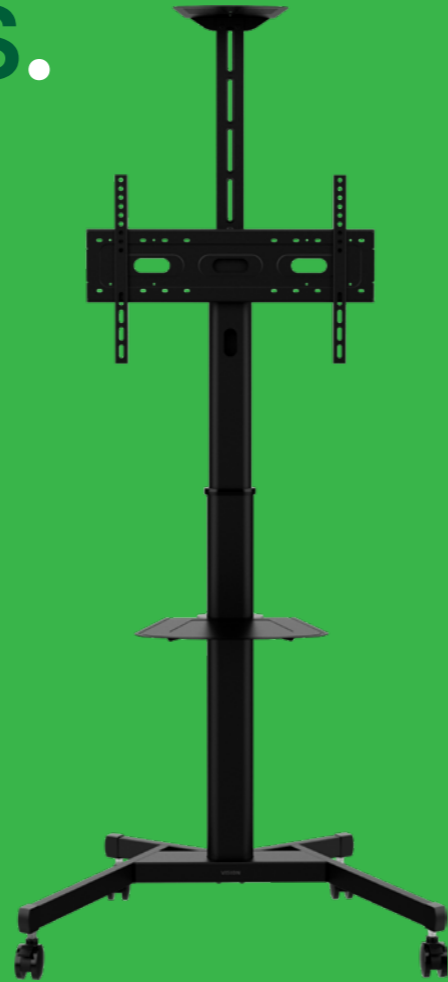
Height-Adjustable Basic Floor stand - 31" - 80"

VFM-F19 (Max load: 50 kg)  
SKU: 10365985



Motorised Basic Floor stand - 55" - 100"

VFM-F15M (Max load: 60 kg)  
SKU: 12231250



## Laptop & mobile phone accessories.

Vision's laptop and mobile accessories keep modern workspaces connected, organised, and easy to use, offering practical solutions that support productivity both on the move and at the desk.



Fixed Height Laptop Stand

VLM-S  
SKU: 8568260



Turntable Laptop Stand

VLM-TL  
SKU: 8568256



Folding Laptop Stand

VLM-F  
SKU: 8568259

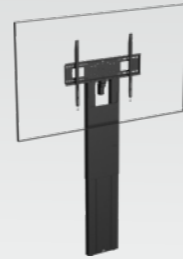


MagSafe Turntable Phone Stand

VLM-TPM  
SKU: 9749522

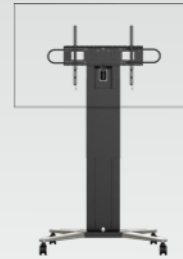
# Floor stands.

From fixed to motorised, Vision floor stands provide rugged, mobile solutions that meet the demands of modern signage and collaboration.



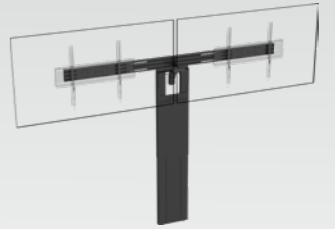
Series F - Motorised Wall/Floor Stand 47"- 100"

VFM-F50 (Max load: 95 kg)  
SAP: 6369811



Series F - Motorised Floor Stand 47"- 100"

VFM-F50T (Max load: 110 kg)  
SKU: 6369810



Series F - Motorised Wall/Floor stand for dual display (2x 55"- 86")

VFM-F50/D (Max load: 80 kg)  
SKU: 8301768



Floor stand for Samsung Flip (Rotates) 50" - 65"

VFM-F10/WH (Max load: 45 kg)  
SKU: 5252503



Floor stand for 50" Surface Hub 2S and 3

VFM-F10/HB (Max load: 45 kg)  
SKU: 6369806



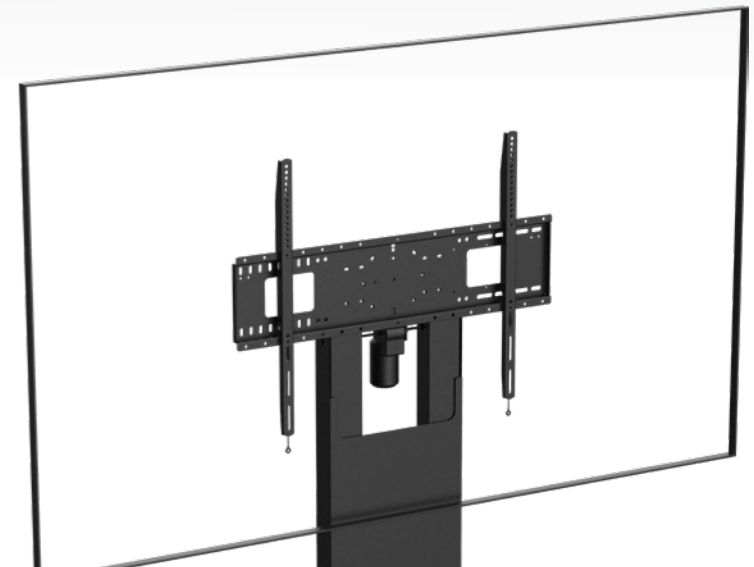
Modern Floor stand for meeting rooms

VFM-F12 (Screen size: 55" - 100")  
SAP: 8623453 (Max load: 100 kg)



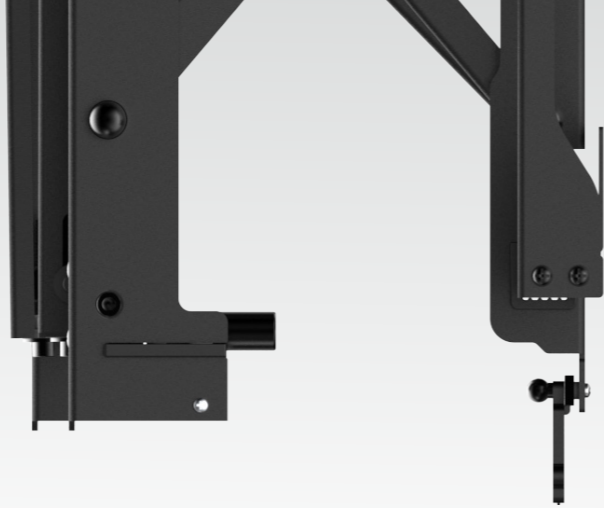
Series F - Motorised Floor stand for dual display (2x 55"- 86")

VFM-F50T/D (Max load: 80 kg)  
SKU: 8387143



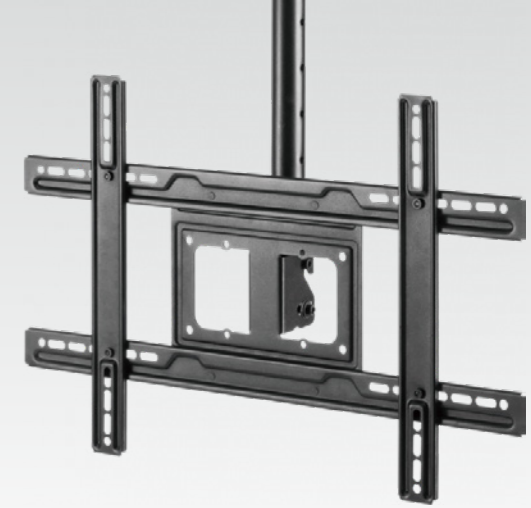
# Signage solutions.

Vision's signage solutions provide dependable and adaptable ways to present content, helping organisations deliver clear and engaging information in any environment.



# Ceiling mounts.

Vision's ceiling mounts offer a secure, professional solution for projector installations, combining strength, flexibility, and a clean finish for a wide range of environments.



Video Wall Mount VESA 600x400

VFM-VW6X4/2  
SKU: 7296546



Digital Signage Fixed Floor Stand

VFM-F1 (Screen size: 55" - 85")  
SKU: 11804295 (Max load: 80 kg)



Ceiling Mount with tilt for 37" - 75"

VFM-C6X4/V2 (Max load: 50 kg)  
SKU: 5370838



Ceiling Mount with tilt for 10" - 34"

VFM-C1X1/2 (Max load: 25 kg)  
SKU: 12196613

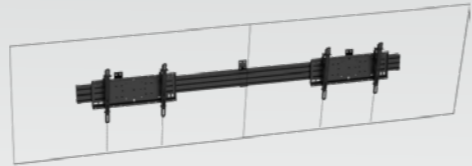


Ceiling Mount with tilt for 32" - 50"

VFM-C2X2/2 (Max load: 25 kg)  
SKU: 12196615

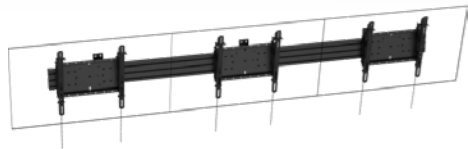
# Menu wall mount kit.

Designed for AV integrators serving Quick Service Restaurant (QSR) customers, our range of Wall Rail Mount Kits are expandable and user-friendly.



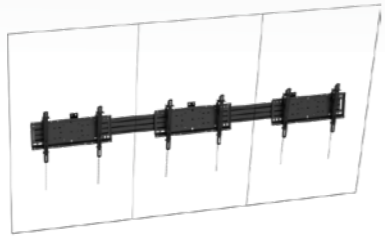
Landscape 2 x 55-75"

Accommodates two displays  
**VFM-MNU/L2X75**  
**SKU: 12214183**



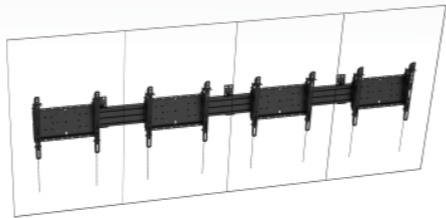
Landscape 3 x 40-43"

Accommodates three displays  
**VFM-MNU/L3X43**  
**SKU: 12214182**



Portrait 3 x 65-75"

Accommodates three displays  
**VFM-MNU/P3X75**  
**SKU: 12214181**



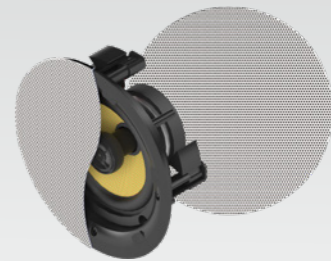
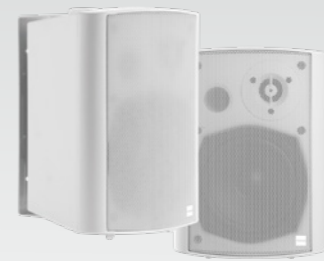
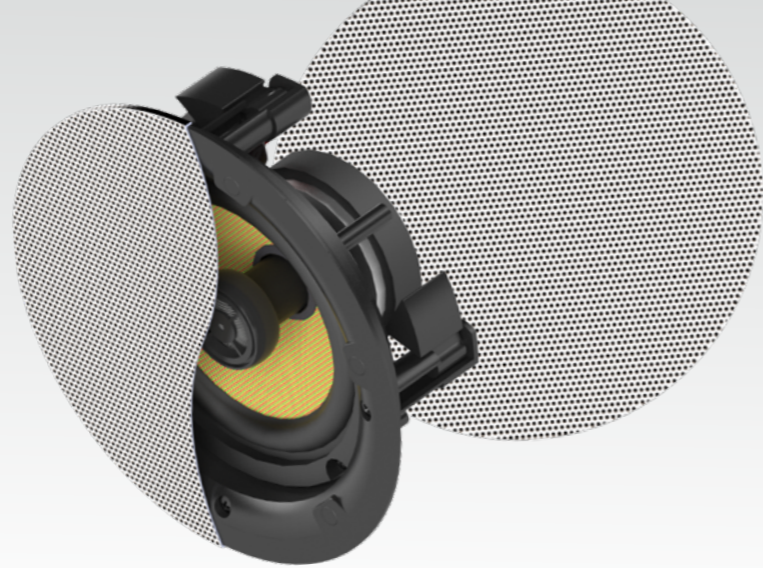
Portrait 4 x 50-55"

Accommodates four displays  
**VFM-MNU/P4X55**  
**SKU: 12214179**



# Audio.

High-efficiency amplifiers and speakers built for clarity, reliability, and seamless integration into education and meeting room systems.



Pair Wall Loudspeakers

SP-1801  
SKU: 11507323

Pair 60w Active Loudspeakers

SP-1900P  
SKU: 4991366

Pair Ceiling Loudspeakers

CS-1900  
SKU: 4815044



2 x 50w Mixer Amplifier

AV-1900  
SAP: 5557274



Pair 54w Active Loudspeakers

SP-900P  
SKU: 4820817



Pair 3-Way Wall Loudspeakers

SP-1800  
SKU: 3635038



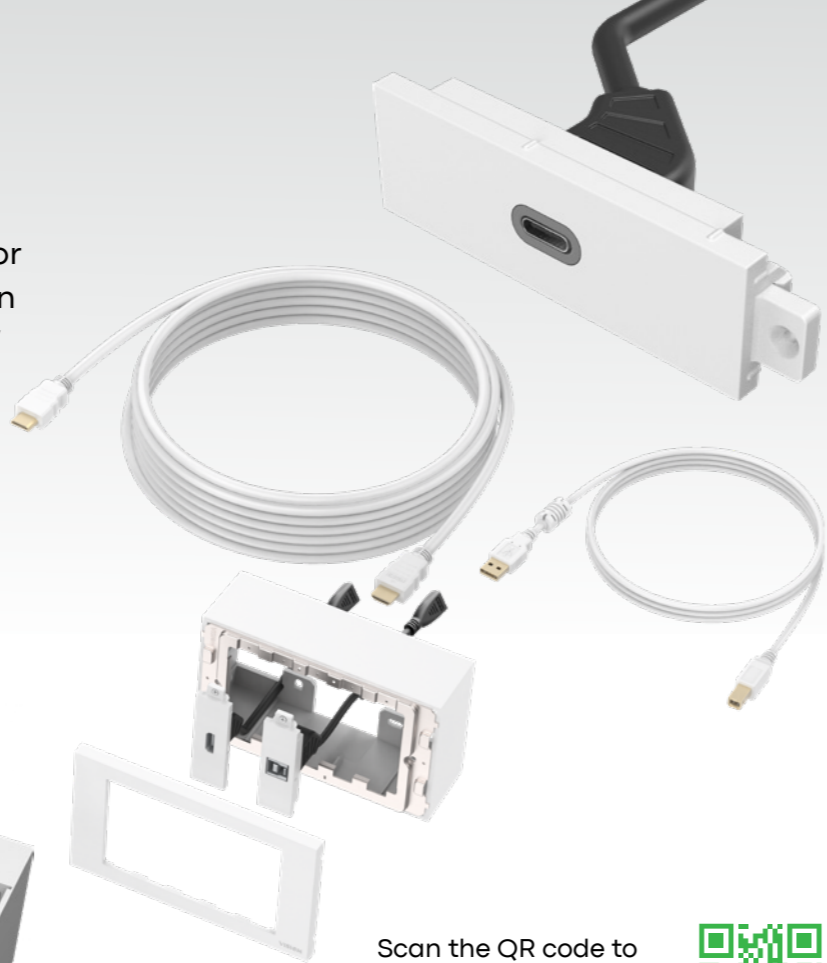
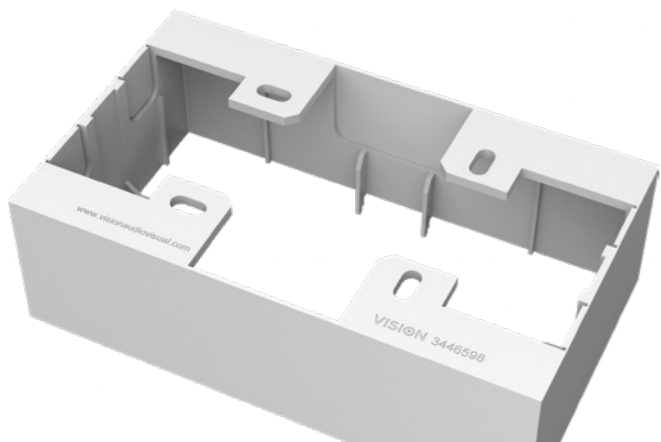
Pair 70w Active Bluetooth Ceiling Speakers

CS-1900P  
SKU: 4883105

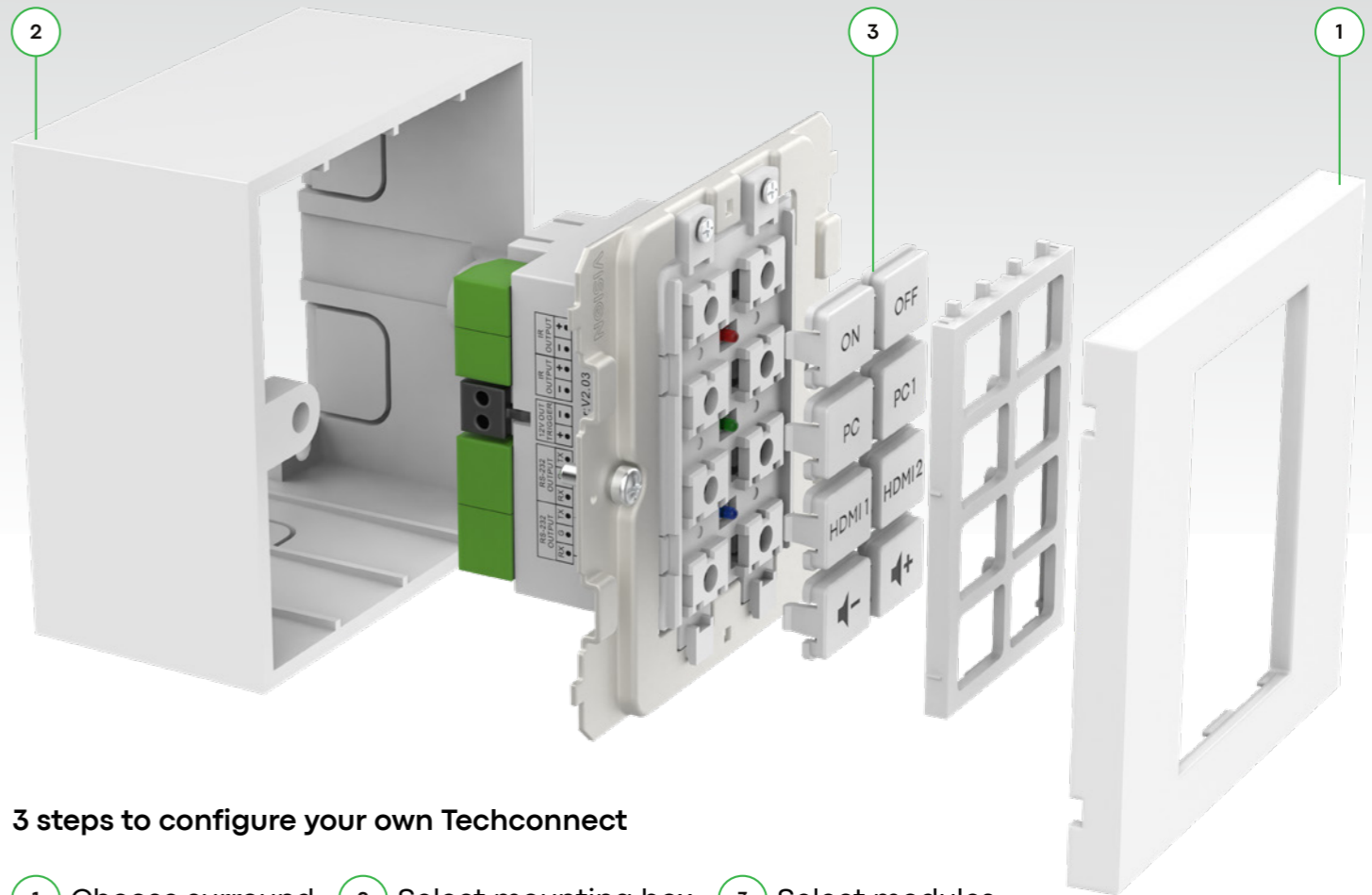


# Techconnect.

Techconnect is a modular audio-visual faceplate family engineered especially for AV installers. A "surround" which comes in two parts fits to a backbox (or "mudring" if your wall is hollow), then the modules are fixed in place to complete the installation. Techconnect is based around standard UK backbox sizes, but Vision also offers mounting hardware for other countries.



Scan the QR code to use the Techconnect Configurator



## 3 steps to configure your own Techconnect

- 1 Choose surround
- 2 Select mounting box
- 3 Select modules

# Cables & adaptors.

Professionally engineered for reliability and performance, Vision's cables and adaptors ensure clean signal delivery, consistent power, and simplified AV installations every time.



## Power

Vision offers robust EU and UK power leads, including compact cloverleaf types, engineered for safe, long-lasting power delivery in professional AV environments.



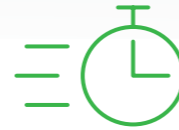
## Display / Signal

From HDMI to DisplayPort and legacy VGA, Vision signal cables are engineered for clarity, durability and signal integrity, essential for clean, professional installations.



## Sound

Built for clean audio transmission in meeting rooms, classrooms, and digital signage applications where clarity and reliability matter.



## USB

High-spec USB A, B, and C cables for data, power, and AV integration designed for speed and shielding integrity.

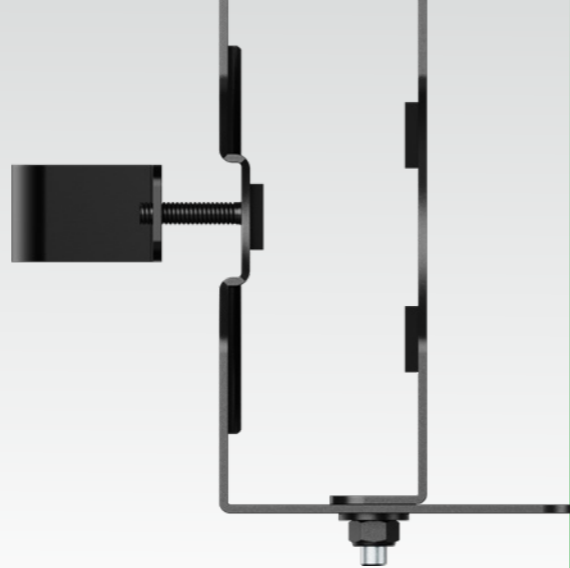
## Find your perfect cable

Scan the QR code to launch Vision's online simple Cable Configurator. In just a few clicks, find exactly the right cable for your project.



# Accessories for wall mounts & floor stands.

Vision's accessories for wall mounts and floor stands add flexibility, safety, and convenience, helping installers create clean and reliable display setups for any space.



Video Conference Shelf

VFM-WVC/2  
SKU: 8271288



Dual Display Rail

VFM-F50\_DL  
SKU: 8271291



Mini PC Mount

VFM-PC  
SKU: 11546734



**Vision Audio Visual**  
sales@visionaudiovisual.com  
visionaudiovisual.com

Exclusively distributed by TD SYNEX Maverick